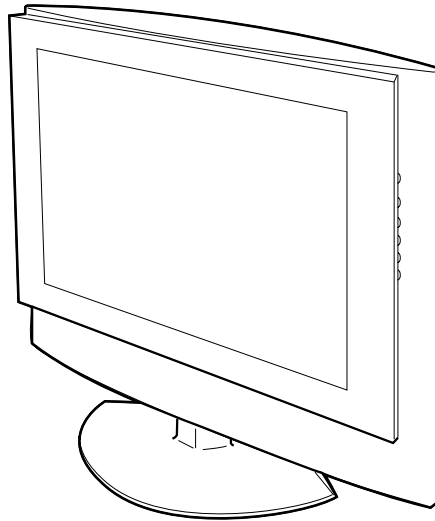


KLV-15SR1

SERVICE MANUAL

US Model
Canadian Model



SPECIFICATIONS

Television system:

American TV standard

Channel coverage:

VHF: 2-13/UHF: 14-69/CATV: 1-125

Antenna:

75 ohm external terminal for VHF/UHF

Screen size (measured diagonally):

15 inches

Panel System:

a-Si TFT Active Matrix LCD panel
(Effective dots: more than 99.99%)

Display resolution:

1024 dots (horizontal) x 768 lines (vertical)

VIDEO 1 IN:

S VIDEO IN (4-pin mini DIN):

Y: 1 Vp-p, 75-ohms unbalanced,
sync negative
C: 0.286 Vp-p (Burst signal),
75 ohms

VIDEO: 1 Vp-p, 75-ohms unbalanced,
sync negative

AUDIO: 500 mVrms (100% modulation)
Impedance: 47 kilohms

VIDEO 2 IN:

COMPONENT VIDEO (Y, P_B, P_R) IN:

Y: 1.0 Vp-p, 75 ohms
unbalanced, sync negative

P_B: 0.7 Vp-p, 75 ohms

P_R: 0.7 Vp-p, 75 ohms

Signal format: 480i

AUDIO:

500 mVrms (100% modulation)

Impedance: 47 kilohms

AUDIO OUT:

500 mVrms (100% modulation)

More than 500 mVrms at the maximum volume setting
(Variable)

More than 500 mVrms (Fixed)

Headphones:

Stereo minijack

Impedance: 16 ohms

Speaker:

50 x 90 mm (2 x 3 5/8 inches) oval speaker (2)

Speaker output:

3 W x 2, 16 ohms

LCD Colour TV

SONY[®]

Power requirement:

120 V AC, 60 Hz

DC input:

16.5 V DC

Power consumption:

In use (Max.): 39 W

In standby: 1.9 W

Dimensions (W/H/D):

Including TV stand: 406 x 405 x 184 mm
(16 x 16 x 7 1/4 inches)

Without TV stand: 406 x 348 x 69 mm
(16 x 13 3/4 x 2 3/4 inches)

Mass:

Including TV stand: 5.3 kg (11 lb 11 oz)

Without TV stand: 4.5 kg (9 lb 15 oz)

Supplied accessories:

Remote control RM-917Y (1)

Batteries size AA (2)

75-ohm coaxial cable (1)

AC power cord (1)

AC power adaptor AC-FD001B (1)

Operating Instructions

Warranty Card

Optional accessories:

Note that some optional accessories may be out of stock.

Headphones plug adaptor

Connecting cables

VMC-810S/820S, YC-15V/30V,
RK-74A, VMC-10HG, SMF-403

Wall-Mount Bracket

SU-W100

Design and specifications are subject to change without notice.

SAFETY CHECK-OUT

After correcting the original service problem, perform the following safety checks before releasing the set to the customer:

1. Check the area of your repair for unsoldered or poorly-soldered connections. Check the entire board surface for solder splashes and bridges.
2. Check the interboard wiring to ensure that no wires are "pinched" or contact high-wattage resistors.
3. Check that all control knobs, shields, covers, ground straps, and mounting hardware have been replaced. Be absolutely certain that you have replaced all the insulators.
4. Look for unauthorized replacement parts, particularly transistors, that were installed during a previous repair. Point them out to the customer and recommend their replacement.
5. Look for parts which, though functioning, show obvious signs of deterioration. Point them out to the customer and recommend their replacement.
6. Check the line cords for cracks and abrasion. Recommend the replacement of any such line cord to the customer.
7. Check the B+ and HV to see if they are specified values. Make sure your instruments are accurate; be suspicious of your HV meter if sets always have low HV.
8. Check the antenna terminals, metal trim, "metallized" knobs, screws, and all other exposed metal parts for AC Leakage. Check leakage as described right.

LEAKAGE TEST

The AC leakage from any exposed metal part to earth ground and from all exposed metal parts to any exposed metal part having a return to chassis, must not exceed 0.5 mA (500 microamperes).

Leakage current can be measured by any one of three methods.

1. A commercial leakage tester, such as the Simpson 229 or RCA WT-540A. Follow the manufacturers' instructions to use these instruments.
2. A battery-operated AC milliammeter. The Data Precision 245 digital multimeter is suitable for this job.
3. Measuring the voltage drop across a resistor by means of a VOM or battery-operated AC voltmeter. The "limit" indication is 0.75 V, so analog meters must have an accurate low-voltage scale. The Simpson 250 and Sanwa SH-63Trd are examples of a passive VOMs that are suitable. Nearly all battery operated digital multimeters that have a 2 V AC range are suitable. (See Fig. A)

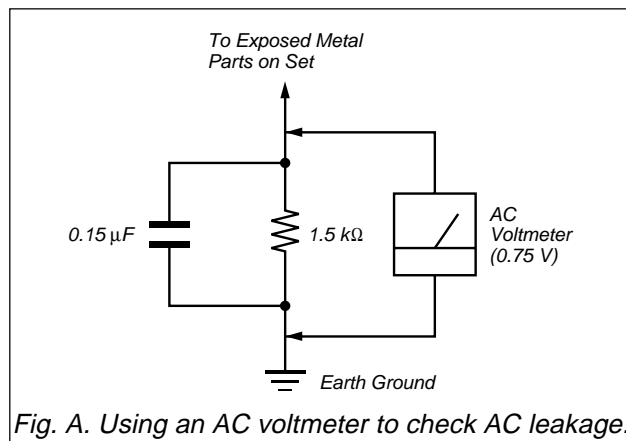


Fig. A. Using an AC voltmeter to check AC leakage.

WARNING!!

SAFETY-RELATED COMPONENT WARNING!!
COMPONENTS IDENTIFIED BY SHADING AND MARK \triangle ON THE SCHEMATIC DIAGRAMS, EXPLODED VIEWS AND IN THE PARTS LIST ARE CRITICAL FOR SAFE OPERATION. REPLACE THESE COMPONENTS WITH SONY PARTS WHOSE PART NUMBERS APPEAR AS SHOWN IN THIS MANUAL OR IN SUPPLEMENTS PUBLISHED BY SONY. CIRCUIT ADJUSTMENTS THAT ARE CRITICAL FOR SAFE OPERATION ARE IDENTIFIED IN THIS MANUAL. FOLLOW THESE PROCEDURES WHENEVER CRITICAL COMPONENTS ARE REPLACED OR IMPROPER OPERATION IS SUSPECTED.

AVERTISSEMENT!!

ATTENTION AUX COMPOSANTS RELATIFS À LA SÉCURITÉ!!
LES COMPOSANTS IDENTIFIÉS PAR UNE TRAME ET UNE MARQUE \triangle SONT CRITIQUES POUR LA SÉCURITÉ. NE LES REMPLACER QUE PAR UNE PIÈCE PORTANT LE NUMÉRO SPECIFIÉ. LES RÉGLAGES DE CIRCUIT DONT L'IMPORTANCE EST CRITIQUE POUR LA SÉCURITÉ DU FONCTIONNEMENT SONT IDENTIFIÉS DANS LE PRÉSENT MANUEL. SUIVRE CES PROCÉDURES LORS DE CHAQUE REMPLACEMENT DE COMPOSANTS CRITIQUES, OU LORSQU'UN MAUVAIS FONCTIONNEMENT EST SUSPECTÉ.

TABLE OF CONTENTS

1. DISASSEMBLY

1-1. Rear Panel Removal	1-1
1-2. Rear Cover Removal	1-1
1-3. H2 Board Removal	1-2
1-4. D1 Board Removal	1-2
1-5. TU Board Removal	1-3
1-6. A and B1 Boards Removal	1-3
1-7. LCD Panel Removal	1-4
1-8. H5 Board Removal	1-4
1-9. H4 Board Removal	1-5

2. DIAGRAMS

5-1. Circuit Boards Location	2-1
------------------------------------	-----

3. EXPLODED VIEWS

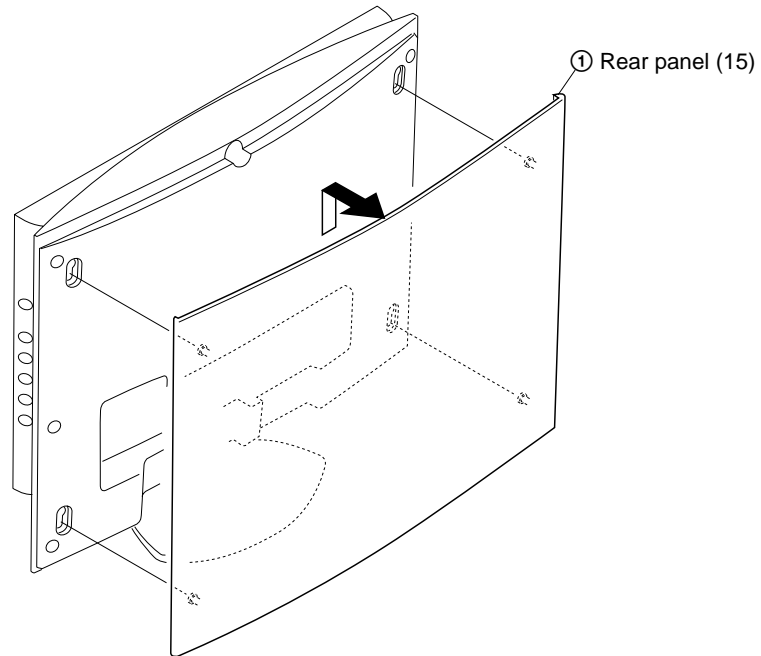
3-1. Chassis	3-2
3-2. Packing Materials	3-3

4. ELECTRICAL PARTS LIST

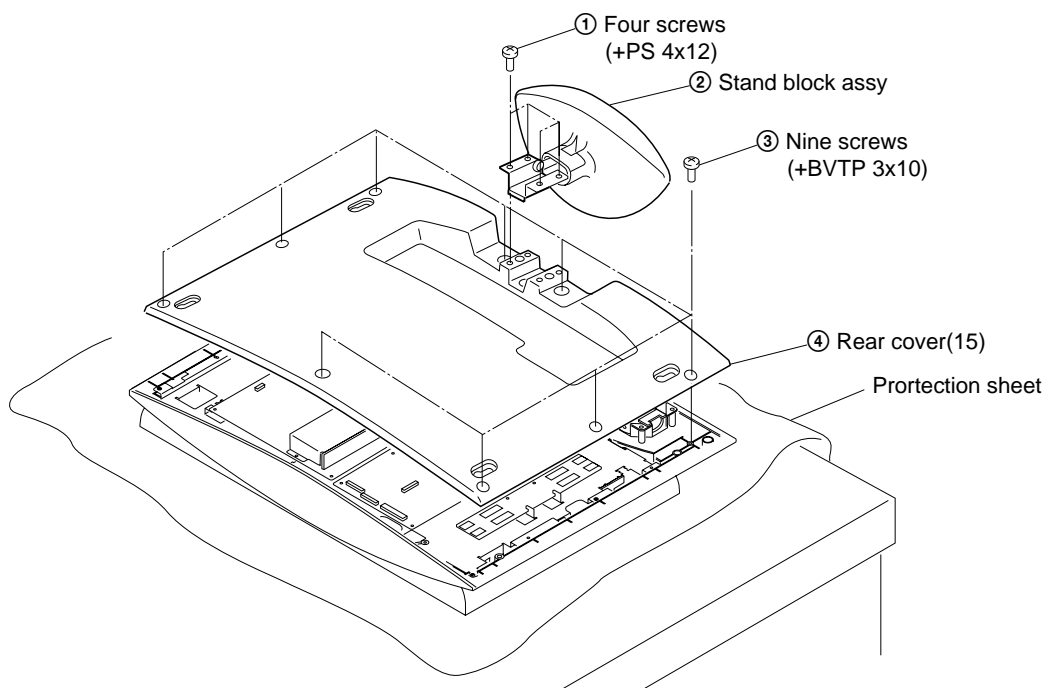
4-1

SECTION 1 DISASSEMBLY

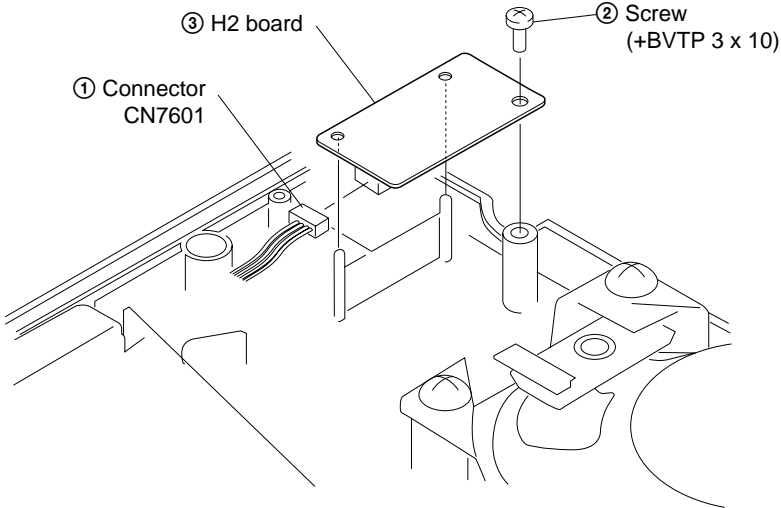
1-1.REAR PANEL REMOVAL



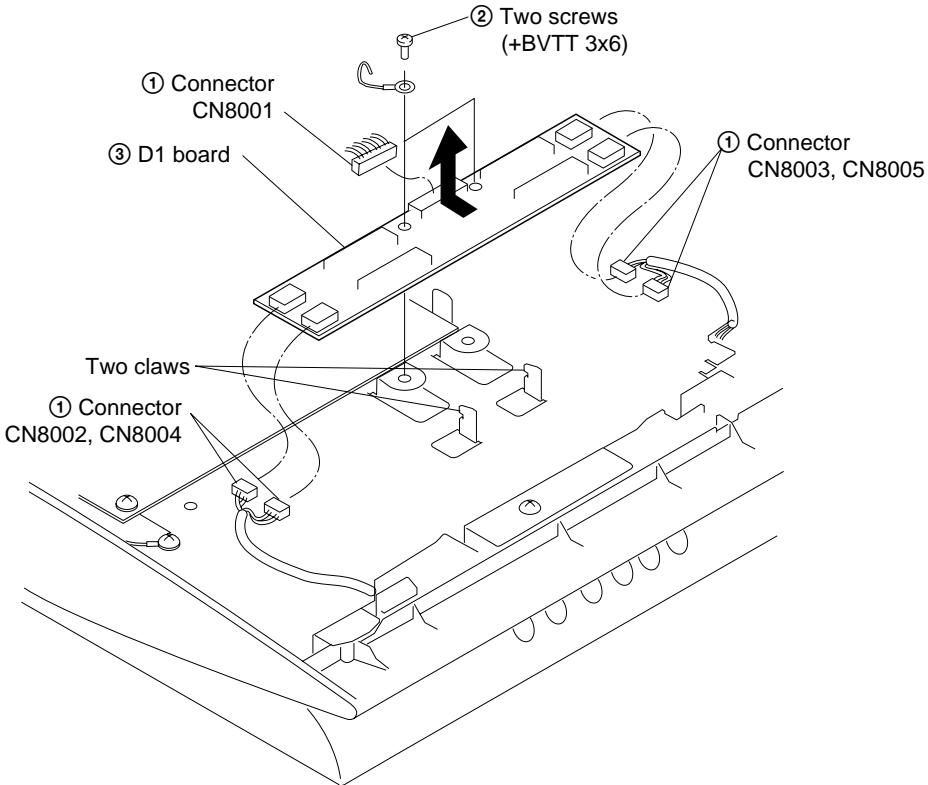
1-2.REAR COVER REMOVAL



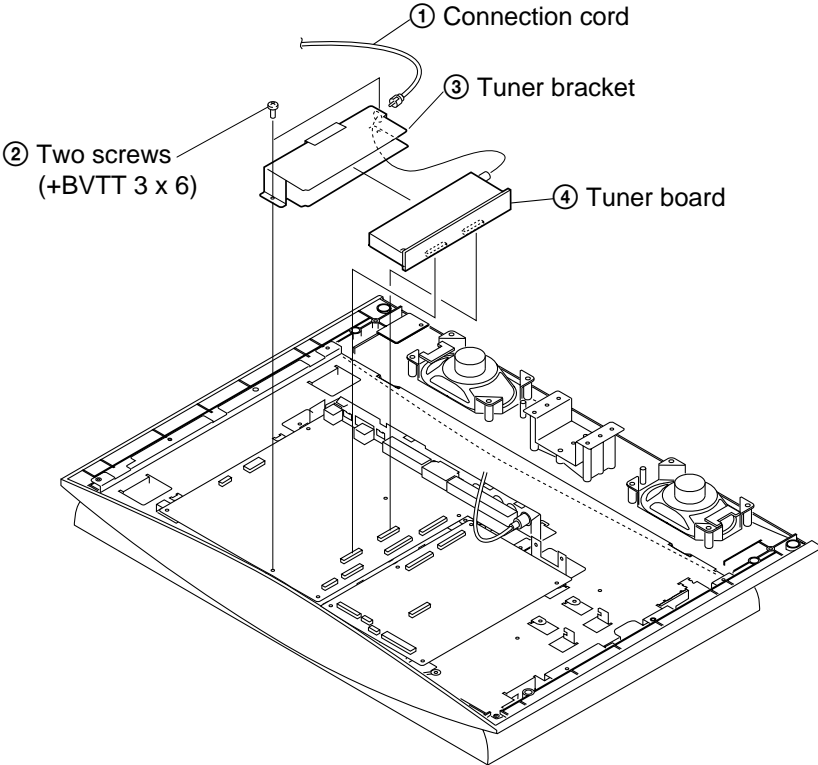
1-3.H2 BOARD REMOVAL



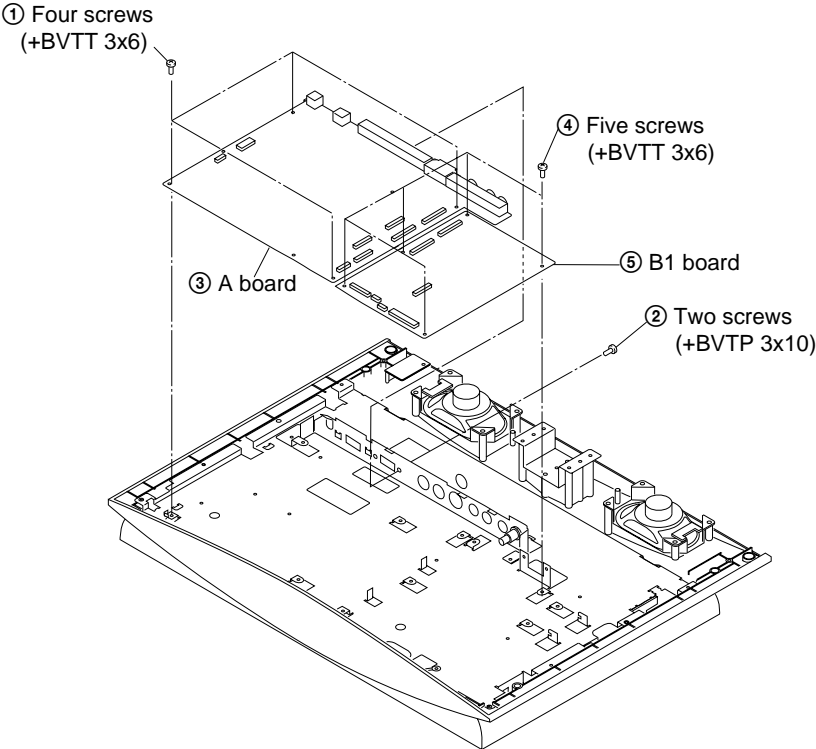
1-4.D1 BOARD REMOVAL



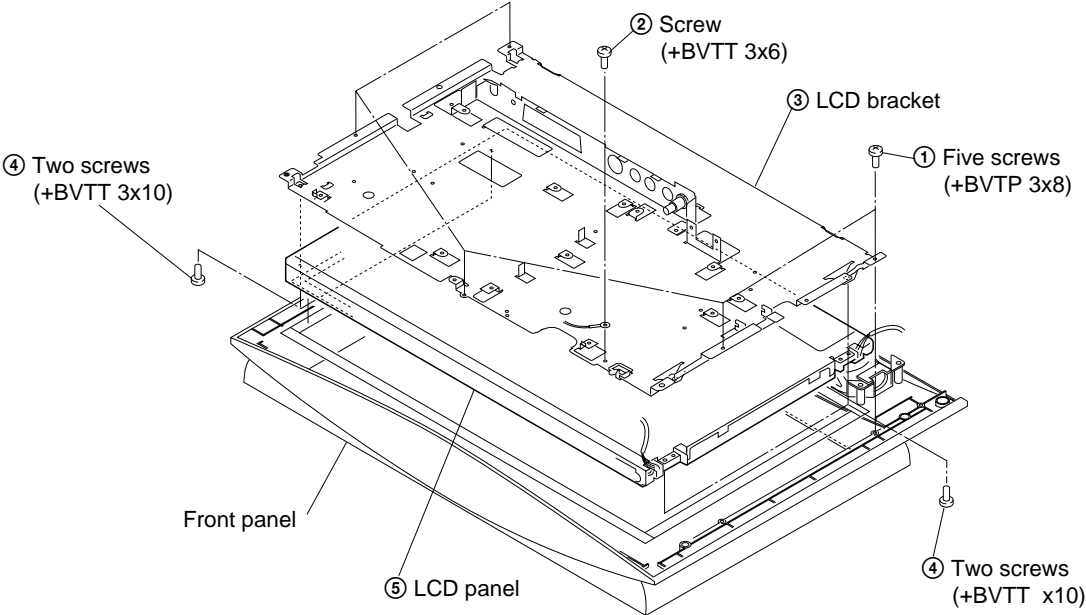
1-5.TU BOARD REMOVAL



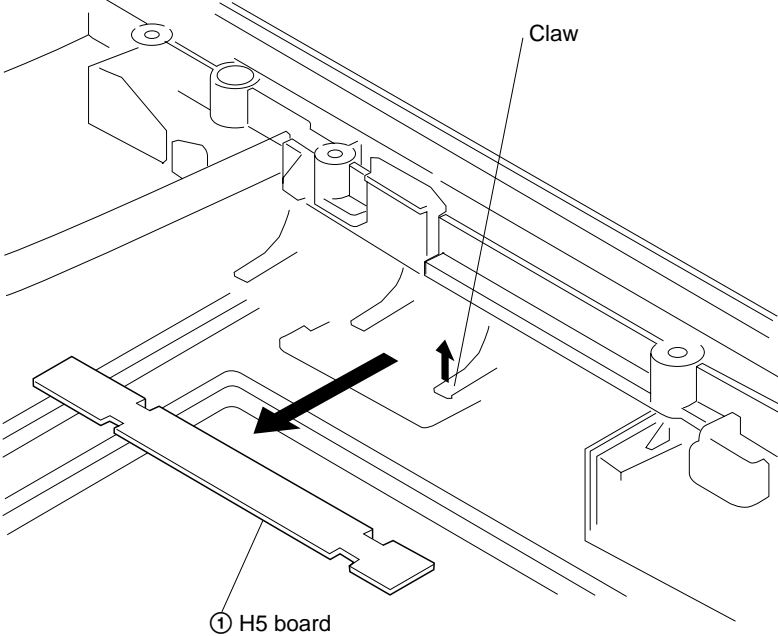
1-6.A AND B1 BOARDS REMOVAL



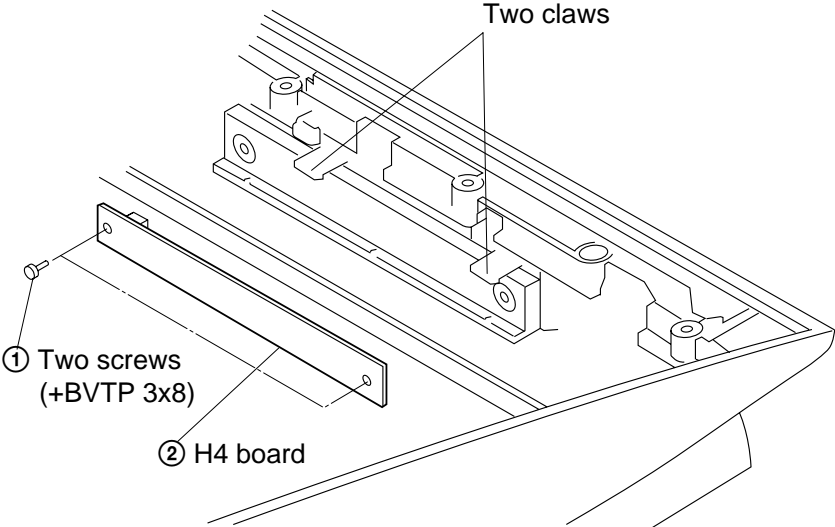
1-7.LCD PANEL REMOVAL



1-8.H5 BOARD REMOVAL

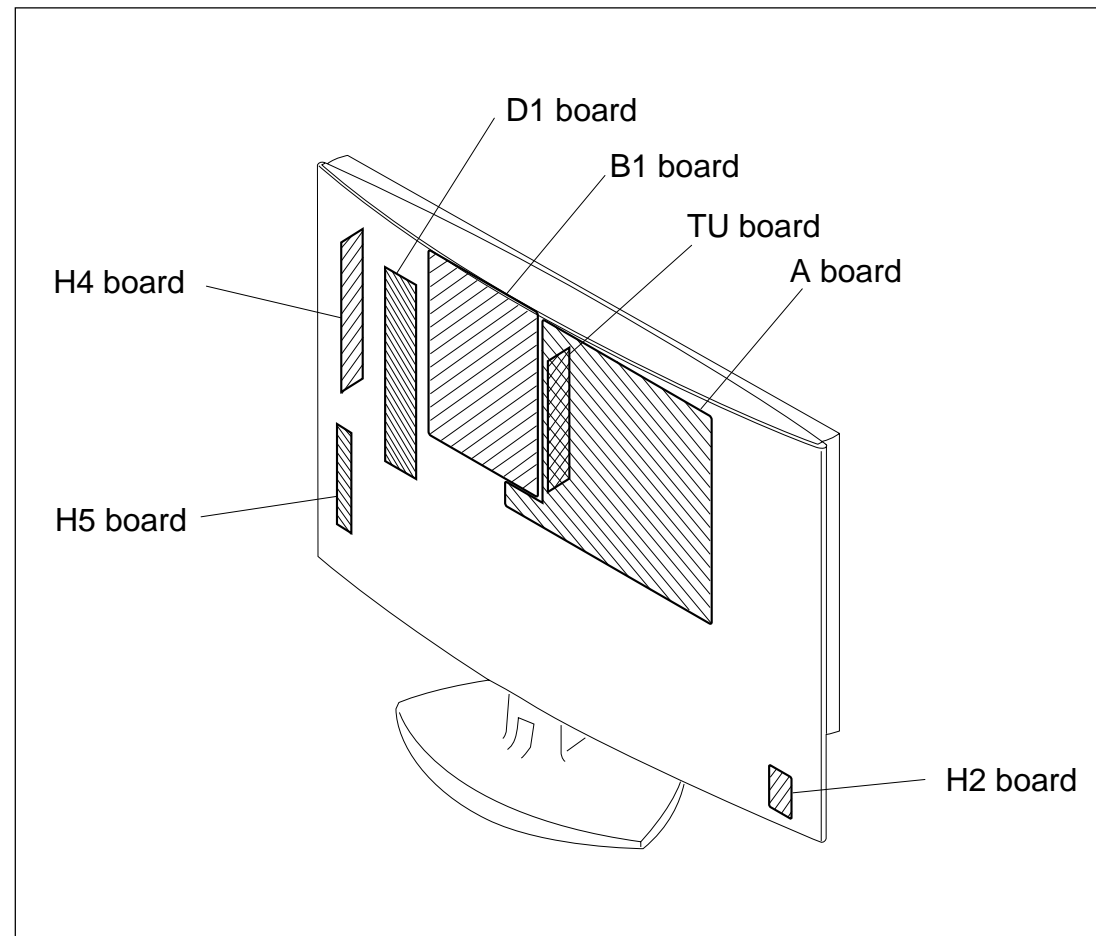


1-9.H4 BOARD REMOAVL



SECTION 2 DIAGRAMS

2-1. CIRCUIT BOARD LOCATION



SECTION 3

EXPLODED VIEWS

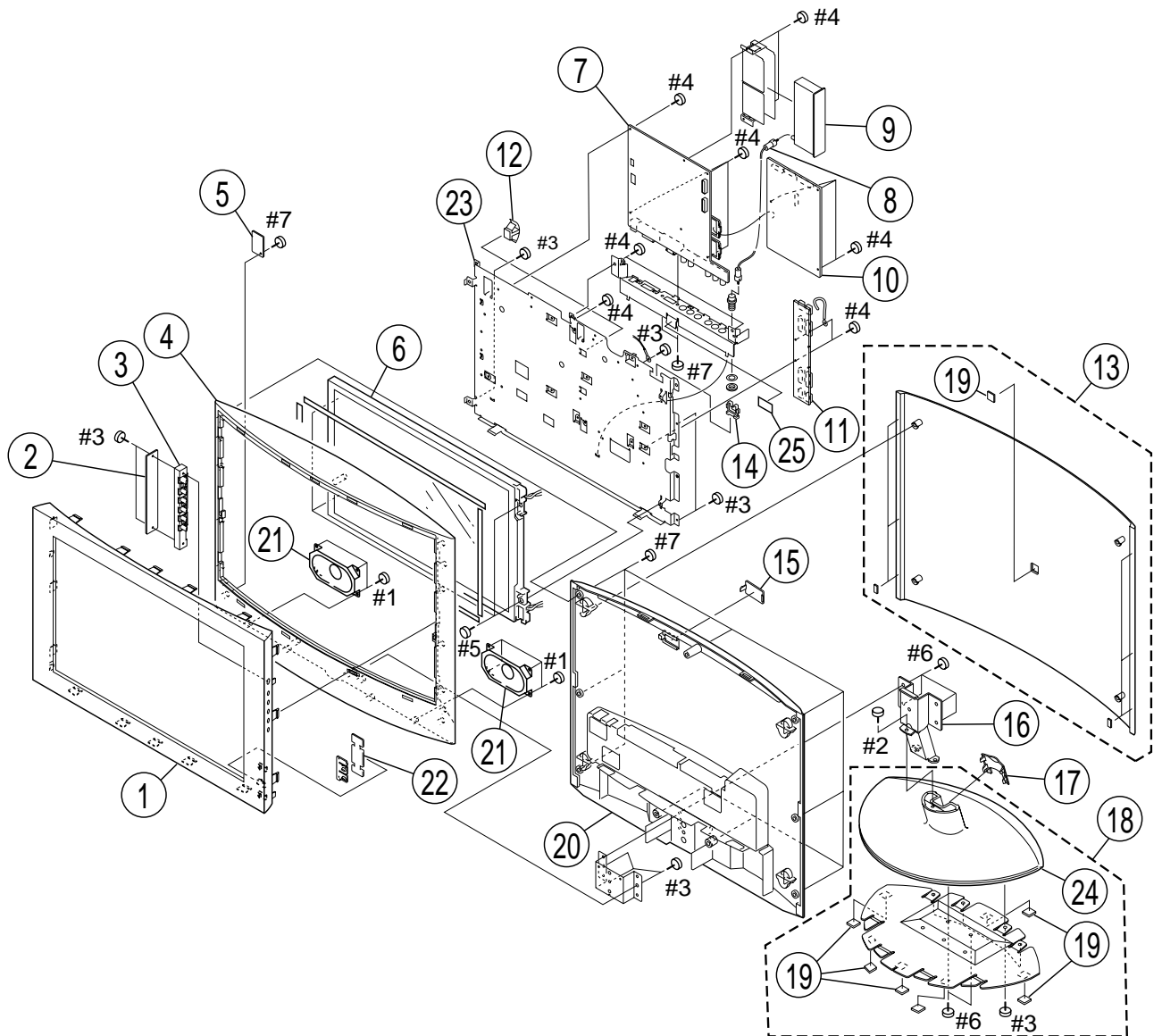
NOTE:

The components identified \triangle marked are critical for safety.
Replace only with the part number specified.

Les composants identifiés par la marque \triangle sont critiques pour la sécurité.
Ne les remplacer que par une pièce portant le numéro spécifié.

- Items with no part number and no description are not stocked because they are seldom required for routine service.
- The construction parts of an assembled part are indicated with a collation number in the remark column.
- Items marked " * " are not stocked since they are seldom required for routine service. Some delay should be anticipated when ordering these items.

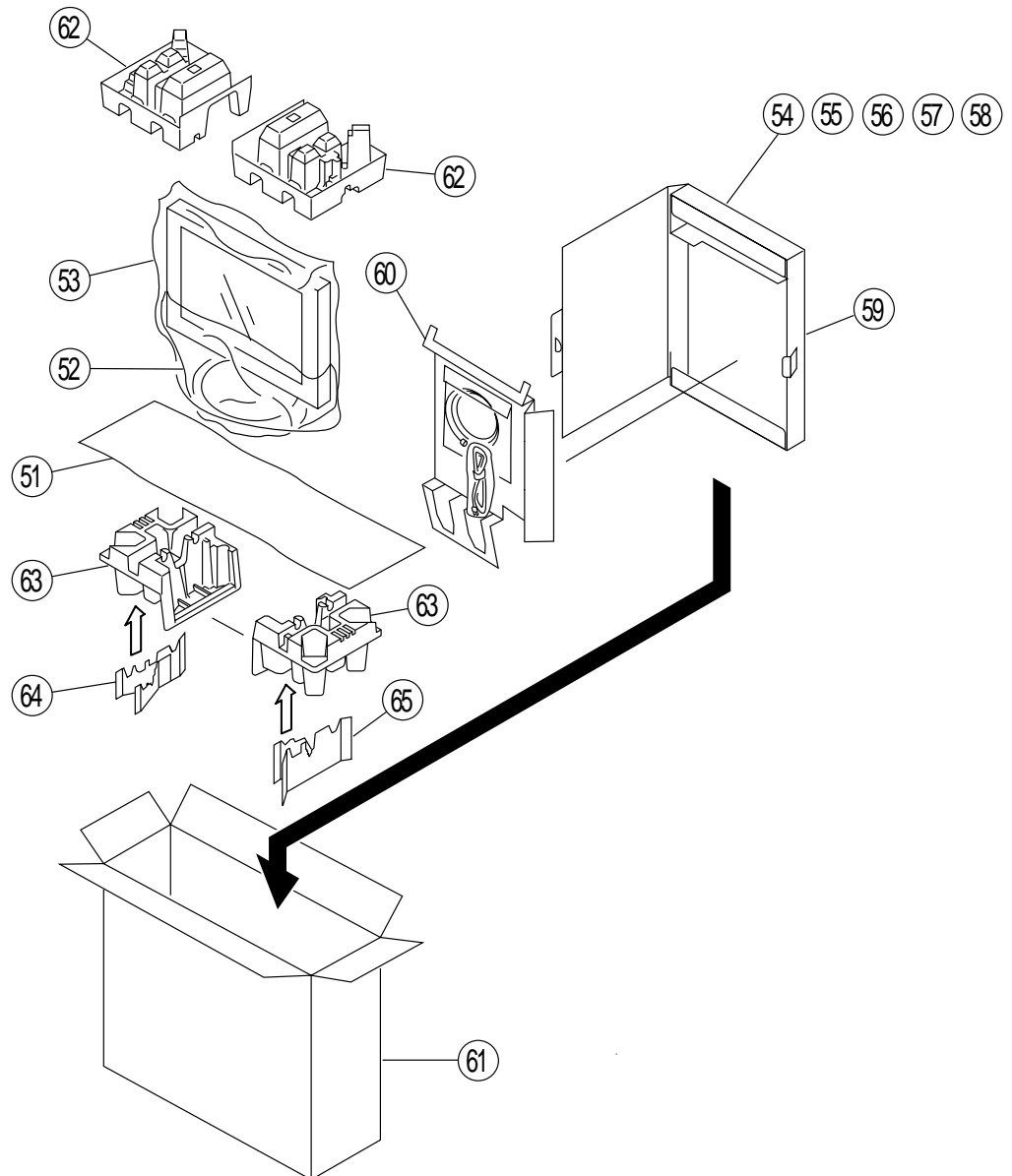
3-1.CHASSIS



REF. No.	PART No.	DESCRIPTIONRE	MARK
1	X-4041-639-1	BEZEL ASSY (15 INCH)	
2	* A-1405-263-A	H4 MOUNT	
3	4-089-162-11	BUTTON, MULTI	
4	4-089-167-02	CABINET (15 INCH)	
5	* A-1405-270-A	H2 MOUNT	
6	* 1-804-819-12	LCD PANEL	
7	* A-1405-261-A	A MOUNT	
8	1-827-467-11	CORD, CONNECTION	
9	* A-1405-267-A	TU MOUNT	
10	* A-1405-262-A	B1 MOUNT	
11	* 8-933-600-35	D1 MOUNT	
12	* 4-069-570-01	SPACER, PWB	
13	X-4040-523-2	ASSY, REAR PANEL (15 INCH)	19
14	3-383-699-01	CLAMP (EDGE)	
15	4-089-160-02	COVER, ECS	
16	* 4-089-178-01	HINGE	
17	4-089-159-01	COVER, CABLE	

REF. No.	PART No.	DESCRIPTIONRE	MARK
18	X-4040-664-1	ASSY, STAND (S)	19, 24
19	3-966-650-01	FOOT, FELT	
20	4-089-171-41	COVER, REAR (15 INCH)	
21	1-825-174-21	SPEAKER (5X9CM)	
22	* A-1405-264-A	H5 MOUNT	
23	X-4040-666-1	ASSY (15 INCH), LCD BRACKET	
24	4-089-170-01	BASE, STAND	
25	* 4-075-165-01	CUSHION (SP)	
26	1-500-511-11	CORE, FERRITE	
#1	7-685-660-79	+BVTP 4X10 TYPE2 IT-3	
#2	7-685-648-79	+BVTP 3X12 TYPE2 IT-3	
#3	7-685-646-79	+BVTP 3X8 TYPE2 IT-3	
#4	7-685-871-01	+BVTT 3X6 (S)	
#5	7-685-873-09	+BVTT 3X10 (S)	
#6	7-682-663-09	+PS 4X12	
#7	7-685-647-79	+BVTP 3X10 TYPE2 IT-3	

3-2.PACKING MATERIALS



REF. No.	PART No.	DESCRIPTIONRE	MARK
51	* 4-091-183-01	SHEET, PROTECTION	
52	* 4-090-463-01	BAG, PROTECTION	
53	* 4-378-262-41	BAG, PROTECTION	
54	1-478-146-11	REMOTE COMMANDER (RM-917Y)	
55	1-765-167-71	CABLE, COAXIAL (WITH (F) PLUG)	
56	△ 1-765-720-32	AC POWER-SUPPLY CORD SETSET	
57	1-477-418-23	ADAPTOR, AC	
58	4-095-486-11	MANUAL INSTRUCTION (ENGLISH)	
	4-095-486-21	MANUAL INSTRUCTION (FRENCH)	
	4-095-486-31	MANUAL INSTRUCTION (SPANISH)	
59	* 4-091-979-02	BOX, ACCESSORY	
60	* 4-095-976-01	PARTITION	

REF. No.	PART No.	DESCRIPTIONRE	MARK
61	* 4-095-480-01	INDIVIDUAL CARTON	
62	* 4-091-977-01	CUSHION UPPER	
63	* 4-091-978-01	CUSHION LOWER	
64	* 4-095-562-01	PIECE SUPPORT, LEFT	
65	* 4-095-563-01	PIECE SUPPORT, RIGHT	

SECTION 4

ELECTRICAL PARTS LIST

NOTE:

The components identified \triangle marked are critical for safety.
Replace only with the part number specified.

Les composants identifiés par la marque \triangle sont critiques pour la sécurité.
Ne les remplacer que par une pièce portant le numéro spécifié.

When indicating parts by reference number, please include the board name.

- All variable and adjustable resistors have characteristic curve B, unless otherwise noted.
- Items marked " * " are not stocked since they are seldom required for routine service. Some delay should be anticipated when ordering these items.

RESISTORS

- All resistors are in ohms
- F : nonflammable

No.	#	Board	Type	△/△*	Ref. No.	Part No.	Description	Remarks-1	Remarks-2
1		D1	CAPACITOR		C8001	1-100-436-91	CERAMIC CHIP 0.033UF 10% 25V		
2		D1	CAPACITOR		C8002	1-131-962-91	CERAMIC CHIP 22PF 10% 3KV		
3		D1	CAPACITOR		C8003	1-162-970-11	CERAMIC CHIP 0.01UF 10.00% 25V		
4		D1	CAPACITOR		C8004	1-162-968-11	CERAMIC CHIP 0.0047UF 10.00% 50V		
5		D1	CAPACITOR		C8005	1-107-826-11	CERAMIC CHIP 0.1UF 10.00% 16V		
6		D1	CAPACITOR		C8006	1-100-436-91	CERAMIC CHIP 0.033UF 10% 25V		
7		D1	CAPACITOR		C8007	1-131-962-91	CERAMIC CHIP 22PF 10% 3KV		
8		D1	CAPACITOR		C8008	1-162-968-11	CERAMIC CHIP 0.0047UF 10.00% 50V		
9		D1	CAPACITOR		C8009	1-162-970-11	CERAMIC CHIP 0.01UF 10.00% 25V		
10		D1	CAPACITOR		C8010	1-127-738-91	CERAMIC CHIP 4.7UF 10% 25V		
11		D1	CAPACITOR		C8011	1-135-960-91	CERAMIC CHIP 10UF 10% 25V		
12		D1	CAPACITOR		C8012	1-164-227-11	CERAMIC CHIP 0.022UF 10.00% 25V		
13		D1	CAPACITOR		C8013	1-107-826-11	CERAMIC CHIP 0.1UF 10.00% 16V		
14		D1	CAPACITOR		C8014	1-164-227-11	CERAMIC CHIP 0.022UF 10.00% 25V		
15		D1	CAPACITOR		C8015	1-162-970-11	CERAMIC CHIP 0.01UF 10.00% 25V		
16		D1	CAPACITOR		C8016	1-165-176-11	CERAMIC CHIP 0.047UF 10.00% 16V		
17		D1	CAPACITOR		C8017	1-165-875-11	CERAMIC CHIP 10UF 10% 10V		
18		D1	CAPACITOR		C8018	1-125-889-91	CERAMIC CHIP 2.2UF 10% 10V		
19		D1	CAPACITOR		C8019	1-165-176-11	CERAMIC CHIP 0.047UF 10.00% 16V		
20		D1	CAPACITOR		C8020	1-107-826-11	CERAMIC CHIP 0.1UF 10.00% 16V		
21		D1	CAPACITOR		C8021	1-125-837-91	CERAMIC CHIP 1UF 10% 6.3V		
22		D1	CAPACITOR		C8022	1-162-970-11	CERAMIC CHIP 0.01UF 10.00% 25V		
23		D1	CAPACITOR		C8023	1-164-227-11	CERAMIC CHIP 0.022UF 10.00% 25V		
24		D1	CAPACITOR		C8024	1-107-826-11	CERAMIC CHIP 0.1UF 10.00% 16V		
25		D1	CAPACITOR		C8025	1-164-230-11	CERAMIC CHIP 220PF 5.00% 50V		
26		D1	CAPACITOR		C8026	1-135-960-91	CERAMIC CHIP 10UF 10% 25V		
27		D1	CAPACITOR		C8027	1-127-738-91	CERAMIC CHIP 4.7UF 10% 25V		
28		D1	CAPACITOR		C8028	1-162-968-11	CERAMIC CHIP 0.0047UF 10.00% 50V		
29		D1	CAPACITOR		C8029	1-162-970-11	CERAMIC CHIP 0.01UF 10.00% 25V		
30		D1	CAPACITOR		C8030	1-162-968-11	CERAMIC CHIP 0.0047UF 10.00% 50V		
31		D1	CAPACITOR		C8031	1-100-436-91	CERAMIC CHIP 0.033UF 10% 25V		
32		D1	CAPACITOR		C8032	1-131-962-91	CERAMIC CHIP 22PF 10% 3KV		
33		D1	CAPACITOR		C8033	1-100-436-91	CERAMIC CHIP 0.033UF 10% 25V		
34		D1	CAPACITOR		C8034	1-131-962-91	CERAMIC CHIP 22PF 10% 3KV		
35		D1	CAPACITOR		C8039	1-135-960-91	CERAMIC CHIP 10UF 10% 25V		
36		D1	CAPACITOR		C8040	1-135-960-91	CERAMIC CHIP 10UF 10% 25V		
37		D1	CAPACITOR		C8041	1-162-968-11	CERAMIC CHIP 0.0047UF 10.00% 50V		
38		D1	CAPACITOR		C8042	1-127-715-91	CERAMIC CHIP 0.22UF 10% 16V		
39		D1	CAPACITOR		C8043	1-127-715-91	CERAMIC CHIP 0.22UF 10% 16V		
40		D1	CONNECTOR		CN8001	1-766-382-21	"PIN, CONNECTOR (1.5MM)(SMD)10P"		
41		D1	CONNECTOR		CN8002	1-815-494-21	"PIN, CONNECTOR 2P"		
42		D1	CONNECTOR		CN8003	1-815-494-21	"PIN, CONNECTOR 2P"		
43		D1	CONNECTOR		CN8004	1-815-494-21	"PIN, CONNECTOR 2P"		
44		D1	CONNECTOR		CN8005	1-815-494-21	"PIN, CONNECTOR 2P"		
45		D1	DIODE		D8001	8-719-987-69	DIODE DAN217		
46		D1	DIODE		D8002	8-719-988-61	DIODE 1SS355TE-17		
47		D1	DIODE		D8005	8-719-987-69	DIODE DAN217		
48		D1	DIODE		D8006	8-719-987-69	DIODE DAN217		
49		D1	DIODE		D8008	8-719-069-56	DIODE UDZSTE-176.2B		
50		D1	DIODE		D8009	8-719-069-56	DIODE UDZSTE-176.2B		
51		D1	DIODE		D8010	8-719-987-69	DIODE DAN217		
52		D1	DIODE		D8013	8-719-987-69	DIODE DAN217		
53		D1	DIODE		D8015	8-719-987-69	DIODE DAN217		
54		D1	DIODE		D8016	8-719-988-61	DIODE 1SS355TE-17		
55		D1	FUSE	△	F8001	1-576-410-21	FUSE 2A 63V		
56		D1	FUSE	△	F8002	1-576-410-21	FUSE 2A 63V		
57		D1	IC		IC8001	6-702-626-01	IC OZ967SN-B-0-T2		
58		D1	TRANSISTOR		Q8001	8-729-054-99	TRANSISTOR SI4559EY-T1		
59		D1	TRANSISTOR		Q8002	8-729-054-99	TRANSISTOR SI4559EY-T1		
60		D1	TRANSISTOR		Q8003	8-729-014-85	TRANSISTOR 2SA1618-YGRTE85R		
61		D1	TRANSISTOR		Q8004	8-729-031-34	TRANSISTOR 2SK2034		
62		D1	TRANSISTOR		Q8005	8-729-031-34	TRANSISTOR 2SK2034		
63		D1	TRANSISTOR		Q8006	8-729-031-34	TRANSISTOR 2SK2034		
64		D1	TRANSISTOR		Q8007	8-729-031-34	TRANSISTOR 2SK2034		
65		D1	RESISTOR		R8001	1-218-679-11	METAL CHIP 300 0.5% 1/10W		
66		D1	RESISTOR		R8002	1-216-845-11	METAL CHIP 100K 5% 1/10W		
67		D1	RESISTOR		R8003	1-216-819-11	METAL CHIP 680 5% 1/10W		
68		D1	RESISTOR		R8005	1-218-736-11	METAL CHIP 68K 0.5% 1/10W		
69		D1	RESISTOR		R8006	1-220-787-91	METAL CHIP 5.1M 5% 1/10W		
70		D1	RESISTOR		R8007	1-216-837-11	METAL CHIP 22K 5% 1/10W		
71		D1	RESISTOR		R8008	1-218-733-11	METAL CHIP 51K 0.5% 1/10W		
72		D1	RESISTOR		R8009	1-218-744-11	METAL CHIP 150K 0.5% 1/10W		
73		D1	RESISTOR		R8010	1-216-839-11	METAL CHIP 33K 5% 1/10W		

No.	#	Board	Type	Δ/V^*	Ref. No.	Part No.	Description	Remarks-1	Remarks-2
74		D1	RESISTOR		R8011	1-218-728-11	METAL CHIP 33K 0.5% 1/10W		
75		D1	RESISTOR		R8012	1-216-845-11	METAL CHIP 100K 5% 1/10W		
76		D1	RESISTOR		R8013	1-216-833-11	METAL CHIP 10K 5% 1/10W		
77		D1	RESISTOR		R8014	1-216-801-11	METAL CHIP 22 5% 1/10W		
78		D1	RESISTOR		R8015	1-218-744-11	METAL CHIP 150K 0.5% 1/10W		
79		D1	RESISTOR		R8016	1-218-736-11	METAL CHIP 68K 0.5% 1/10W		
80		D1	RESISTOR		R8017	1-218-736-11	METAL CHIP 68K 0.5% 1/10W		
81		D1	RESISTOR		R8018	1-218-728-11	METAL CHIP 33K 0.5% 1/10W		
82		D1	RESISTOR		R8019	1-216-833-11	METAL CHIP 10K 5% 1/10W		
83		D1	RESISTOR		R8020	1-216-845-11	METAL CHIP 100K 5% 1/10W		
84		D1	RESISTOR		R8021	1-216-839-11	METAL CHIP 33K 5% 1/10W		
85		D1	RESISTOR		R8022	1-218-732-11	METAL CHIP 47K 0.5% 1/10W		
86		D1	RESISTOR		R8023	1-218-733-11	METAL CHIP 51K 0.5% 1/10W		
87		D1	RESISTOR		R8024	1-220-787-91	METAL CHIP 5.1M 5% 1/10W		
88		D1	RESISTOR		R8026	1-216-819-11	METAL CHIP 680 5% 1/10W		
89		D1	RESISTOR		R8028	1-218-679-11	METAL CHIP 300 0.5% 1/10W		
90		D1	RESISTOR		R8029	1-218-731-11	METAL CHIP 43K 0.5% 1/10W		
91		D1	RESISTOR		R8030	1-218-750-11	METAL CHIP 270K 0.5% 1/10W		
92		D1	RESISTOR		R8031	1-216-804-11	METAL CHIP 39 5% 1/10W		
93		D1	RESISTOR		R8032	1-216-804-11	METAL CHIP 39 5% 1/10W		
94		D1	RESISTOR		R8033	1-218-660-91	METAL CHIP 47 0.5% 1/10W		
95		D1	RESISTOR		R8034	1-218-660-91	METAL CHIP 47 0.5% 1/10W		
96		D1	RESISTOR		R8037	1-216-833-11	METAL CHIP 10K 5% 1/10W		
97		D1	RESISTOR		R8038	1-216-857-11	METAL CHIP 1M 5% 1/10W		
98		D1	RESISTOR		R8039	1-216-845-11	METAL CHIP 100K 5% 1/10W		
99		D1	RESISTOR		R8040	1-216-833-11	METAL CHIP 10K 5% 1/10W		
100		D1	RESISTOR		R8041	1-216-857-11	METAL CHIP 1M 5% 1/10W		
101		D1	RESISTOR		R8042	1-216-845-11	METAL CHIP 100K 5% 1/10W		
102		D1	TRANSFORMER		T8001	1-437-859-11	INVERTER TRANSFORMER		
103		D1	TRANSFORMER		T8002	1-437-859-11	INVERTER TRANSFORMER		
104		D1	TRANSFORMER		T8003	1-437-859-11	INVERTER TRANSFORMER		
105		D1	TRANSFORMER		T8004	1-437-859-11	INVERTER TRANSFORMER		
106		A	CAPACITOR		C3201	1-135-599-11	ELECT CHIP 39UF 20% 16V		
107		A	CAPACITOR		C3202	1-107-826-11	CERAMIC CHIP 0.1UF 10.00% 16V		
108		A	CAPACITOR		C3203	1-125-889-91	CERAMIC CHIP 2.2UF 10% 10V		
109		A	CAPACITOR		C3205	1-107-826-11	CERAMIC CHIP 0.1UF 10.00% 16V		
110		A	CAPACITOR		C3206	1-165-875-11	CERAMIC CHIP 10UF 10% 10V		
111		A	CAPACITOR		C3207	1-162-970-11	CERAMIC CHIP 0.01UF 10.00% 25V		
112		A	CAPACITOR		C3208	1-127-760-11	CERAMIC CHIP 4.7UF 10% 6.3V		
113		A	CAPACITOR		C3211	1-165-112-11	CERAMIC CHIP 0.33UF 16V		
114		A	CAPACITOR		C3212	1-165-112-11	CERAMIC CHIP 0.33UF 16V		
115		A	CAPACITOR		C6002	1-164-156-11	CERAMIC CHIP 0.1UF 25V		
116		A	CAPACITOR		C6003	1-162-995-11	CERAMIC CHIP 0.022UF 50V		
117		A	CAPACITOR		C6007	1-126-402-11	ELECT CHIP 2.2UF 20.00% 50V		
118		A	CAPACITOR		C6008	1-126-404-11	ELECT CHIP 4.7UF 20.00% 50V		
119		A	CAPACITOR		C6010	1-131-661-21	ELECT CHIP 100UF 20% 10V		
120		A	CAPACITOR		C6011	1-126-396-11	ELECT CHIP 47UF 20.00% 16V		
121		A	CAPACITOR		C6012	1-126-394-11	ELECT CHIP 10UF 20.00% 16V		
122		A	CAPACITOR		C6014	1-126-396-11	ELECT CHIP 47UF 20.00% 16V		
123		A	CAPACITOR		C6015	1-126-402-11	ELECT CHIP 2.2UF 20.00% 50V		
124		A	CAPACITOR		C6016	1-126-396-11	ELECT CHIP 47UF 20.00% 16V		
125		A	CAPACITOR		C6085	1-126-396-11	ELECT CHIP 47UF 20.00% 16V		
126		A	CAPACITOR		C6086	1-126-396-11	ELECT CHIP 47UF 20.00% 16V		
127		A	CAPACITOR		C6087	1-107-826-11	CERAMIC CHIP 0.1UF 10.00% 16V		
128		A	CAPACITOR		C6088	1-126-398-11	ELECT CHIP 4.7UF 20.00% 35V		
129		A	CAPACITOR		C6089	1-127-715-91	CERAMIC CHIP 0.22UF 10% 16V		
130		A	CAPACITOR		C6090	1-162-964-11	CERAMIC CHIP 0.001UF 10.00% 50V		
131		A	CAPACITOR		C6091	1-162-968-11	CERAMIC CHIP 0.0047UF 10.00% 50V		
132		A	CAPACITOR		C6092	1-164-227-11	CERAMIC CHIP 0.022UF 10.00% 25V		
133		A	CAPACITOR		C6093	1-107-826-11	CERAMIC CHIP 0.1UF 10.00% 16V		
134		A	CAPACITOR		C6121	1-107-826-11	CERAMIC CHIP 0.1UF 10.00% 16V		
135		A	CAPACITOR		C7003	1-137-993-21	ELECT CHIP 470UF 20% 16V		
136		A	CAPACITOR		C7004	1-164-156-11	CERAMIC CHIP 0.1UF 25V		
137		A	CAPACITOR		C7005	1-164-346-11	CERAMIC CHIP 1UF 16V		
138		A	CAPACITOR		C7007	1-164-156-11	CERAMIC CHIP 0.1UF 25V		
139		A	CAPACITOR		C7008	1-126-396-11	ELECT CHIP 47UF 20.00% 16V		
140		A	CAPACITOR		C7032	1-110-501-11	CERAMIC CHIP 0.33UF 10.00% 16V		
141		A	CAPACITOR		C7033	1-110-501-11	CERAMIC CHIP 0.33UF 10.00% 16V		
142		A	CAPACITOR		C7034	1-126-396-11	ELECT CHIP 47UF 20.00% 16V		
143		A	CAPACITOR		C7035	1-164-156-11	CERAMIC CHIP 0.1UF 25V		
144		A	CAPACITOR		C7036	1-115-566-11	CERAMIC CHIP 4.7UF 10.00% 10V		
145		A	CAPACITOR		C7037	1-115-566-11	CERAMIC CHIP 4.7UF 10.00% 10V		
146		A	CAPACITOR		C7039	1-162-927-11	CERAMIC CHIP 100PF 5.00% 50V		

No.	#	Board	Type	Δ/V^*	Ref. No.	Part No.	Description	Remarks-1	Remarks-2
147		A	CAPACITOR		C7040	1-162-966-11	CERAMIC CHIP 0.0022UF 10.00% 50V		
148		A	CAPACITOR		C7041	1-162-966-11	CERAMIC CHIP 0.0022UF 10.00% 50V		
149		A	CAPACITOR		C7043	1-126-394-11	ELECT CHIP 10UF 20.00% 16V		
150		A	CAPACITOR		C7044	1-127-573-11	CERAMIC CHIP 1UF 10% 16V		
151		A	CAPACITOR		C7045	1-164-156-11	CERAMIC CHIP 0.1UF 25V		
152		A	CAPACITOR		C7046	1-127-573-11	CERAMIC CHIP 1UF 10% 16V		
153		A	CAPACITOR		C7047	1-164-344-11	CERAMIC CHIP 0.068UF 10.00% 25V		
154		A	CAPACITOR		C7048	1-164-492-11	CERAMIC CHIP 0.15UF 10.00% 16V		
155		A	CAPACITOR		C7049	1-164-344-11	CERAMIC CHIP 0.068UF 10.00% 25V		
156		A	CAPACITOR		C7050	1-164-492-11	CERAMIC CHIP 0.15UF 10.00% 16V		
157		A	CAPACITOR		C7051	1-164-346-11	CERAMIC CHIP 1UF 16V		
158		A	CAPACITOR		C7052	1-164-346-11	CERAMIC CHIP 1UF 16V		
159		A	CAPACITOR		C7056	1-126-394-11	ELECT CHIP 10UF 20.00% 16V		
160		A	CAPACITOR		C7058	1-126-396-11	ELECT CHIP 47UF 20.00% 16V		
161		A	CAPACITOR		C7061	1-164-156-11	CERAMIC CHIP 0.1UF 25V		
162		A	CAPACITOR		C7065	1-125-889-91	CERAMIC CHIP 2.2UF 10% 10V		
163		A	CAPACITOR		C7066	1-125-889-91	CERAMIC CHIP 2.2UF 10% 10V		
164		A	CAPACITOR		C7074	1-162-968-11	CERAMIC CHIP 0.0047UF 10.00% 50V		
165		A	CAPACITOR		C7075	1-162-968-11	CERAMIC CHIP 0.0047UF 10.00% 50V		
166		A	CAPACITOR		C7078	1-164-346-11	CERAMIC CHIP 1UF 16V		
167		A	CAPACITOR		C7079	1-164-346-11	CERAMIC CHIP 1UF 16V		
168		A	CAPACITOR		C7080	1-164-346-11	CERAMIC CHIP 1UF 16V		
169		A	CAPACITOR		C7081	1-164-346-11	CERAMIC CHIP 1UF 16V		
170		A	CAPACITOR		C7086	1-165-815-91	CERAMIC CHIP 2.2UF 25V		
171		A	CAPACITOR		C7087	1-165-815-91	CERAMIC CHIP 2.2UF 25V		
172		A	CAPACITOR		C7089	1-164-156-11	CERAMIC CHIP 0.1UF 25V		
173		A	CAPACITOR		C7090	1-164-156-11	CERAMIC CHIP 0.1UF 25V		
174		A	CAPACITOR		C7092	1-162-970-11	CERAMIC CHIP 0.01UF 10.00% 25V		
175		A	CAPACITOR		C7093	1-162-970-11	CERAMIC CHIP 0.01UF 10.00% 25V		
176		A	CAPACITOR		C7095	1-126-396-11	ELECT CHIP 47UF 20.00% 16V		
177		A	CAPACITOR		C7096	1-126-396-11	ELECT CHIP 47UF 20.00% 16V		
178		A	CAPACITOR		C7098	1-162-970-11	CERAMIC CHIP 0.01UF 10.00% 25V		
179		A	CAPACITOR		C7099	1-162-970-11	CERAMIC CHIP 0.01UF 10.00% 25V		
180		A	CAPACITOR		C7105	1-164-230-11	CERAMIC CHIP 220PF 5.00% 50V		
181		A	CAPACITOR		C7106	1-127-820-11	CERAMIC CHIP 4.7UF 16V		
182		A	CAPACITOR		C7107	1-164-346-11	CERAMIC CHIP 1UF 16V		
183		A	CAPACITOR		C7109	1-126-396-11	ELECT CHIP 47UF 20.00% 16V		
184		A	CAPACITOR		C7110	1-164-230-11	CERAMIC CHIP 220PF 5.00% 50V		
185		A	CAPACITOR		C7111	1-127-820-11	CERAMIC CHIP 4.7UF 16V		
186		A	CAPACITOR		C7112	1-164-346-11	CERAMIC CHIP 1UF 16V		
187		A	CAPACITOR		C7114	1-126-396-11	ELECT CHIP 47UF 20.00% 16V		
188		A	CAPACITOR		C7116	1-165-815-91	CERAMIC CHIP 2.2UF 25V		
189		A	CAPACITOR		C7117	1-165-815-91	CERAMIC CHIP 2.2UF 25V		
190		A	CAPACITOR		C7119	1-126-396-11	ELECT CHIP 47UF 20.00% 16V		
191		A	CAPACITOR		C7120	1-126-396-11	ELECT CHIP 47UF 20.00% 16V		
192		A	CAPACITOR		C7122	1-107-682-11	CERAMIC CHIP 1UF 10.00% 16V		
193		A	CAPACITOR		C7125	1-126-396-11	ELECT CHIP 47UF 20.00% 16V		
194		A	CAPACITOR		C7126	1-126-396-11	ELECT CHIP 47UF 20.00% 16V		
195		A	CAPACITOR		C7127	1-104-760-11	CERAMIC CHIP 0.047UF 10.00% 50V		
196		A	CAPACITOR		C7128	1-104-760-11	CERAMIC CHIP 0.047UF 10.00% 50V		
197		A	CAPACITOR		C7129	1-125-898-91	CERAMIC CHIP 0.22UF 10.00% 50V		
198		A	CAPACITOR		C7130	1-164-230-11	CERAMIC CHIP 220PF 5.00% 50V		
199		A	CAPACITOR		C7131	1-164-230-11	CERAMIC CHIP 220PF 5.00% 50V		
200		A	CAPACITOR		C7132	1-104-760-11	CERAMIC CHIP 0.047UF 10.00% 50V		
201		A	CAPACITOR		C7133	1-125-898-91	CERAMIC CHIP 0.22UF 10.00% 50V		
202		A	CAPACITOR		C7134	1-164-230-11	CERAMIC CHIP 220PF 5.00% 50V		
203		A	CAPACITOR		C7135	1-104-760-11	CERAMIC CHIP 0.047UF 10.00% 50V		
204		A	CAPACITOR		C7136	1-164-230-11	CERAMIC CHIP 220PF 5.00% 50V		
205		A	CAPACITOR		C7142	1-127-573-11	CERAMIC CHIP 1UF 10% 16V		
206		A	CAPACITOR		C7143	1-127-573-11	CERAMIC CHIP 1UF 10% 16V		
207		A	CAPACITOR		C7146	1-162-970-11	CERAMIC CHIP 0.01UF 10.00% 25V		
208		A	CAPACITOR		C7147	1-126-396-11	ELECT CHIP 47UF 20.00% 16V		
209		A	CAPACITOR		C7148	1-126-396-11	ELECT CHIP 47UF 20.00% 16V		
210		A	CAPACITOR		C7149	1-126-396-11	ELECT CHIP 47UF 20.00% 16V		
211		A	CAPACITOR		C7150	1-125-889-91	CERAMIC CHIP 2.2UF 10% 10V		
212		A	CAPACITOR		C7151	1-126-396-11	ELECT CHIP 47UF 20.00% 16V		
213		A	CAPACITOR		C7152	1-164-245-11	CERAMIC CHIP 0.015UF 10.00% 25V		
214		A	CAPACITOR		C7153	1-126-396-11	ELECT CHIP 47UF 20.00% 16V		
215		A	CAPACITOR		C7154	1-107-826-11	CERAMIC CHIP 0.1UF 10.00% 16V		
216		A	CAPACITOR		C7155	1-125-889-91	CERAMIC CHIP 2.2UF 10% 10V		
217		A	CAPACITOR		C7156	1-126-396-11	ELECT CHIP 47UF 20.00% 16V		
218		A	CAPACITOR		C7157	1-164-245-11	CERAMIC CHIP 0.015UF 10.00% 25V		
219		A	CAPACITOR		C7158	1-127-820-11	CERAMIC CHIP 4.7UF 16V		

No.	#	Board	Type	Δ/V^*	Ref. No.	Part No.	Description	Remarks-1	Remarks-2
220		A	CAPACITOR		C7159	1-115-339-11	CERAMIC CHIP 0.1UF 10.00% 50V		
221		A	CAPACITOR		C7160	1-115-339-11	CERAMIC CHIP 0.1UF 10.00% 50V		
222		A	CAPACITOR		C7161	1-128-235-11	ELECT CHIP 0.47UF 20.00% 50V		
223		A	CAPACITOR		C7162	1-126-404-11	ELECT CHIP 4.7UF 20.00% 50V		
224		A	CAPACITOR		C7163	1-126-405-11	ELECT CHIP 10UF 20.00% 50V		
225		A	CAPACITOR		C7164	1-126-405-11	ELECT CHIP 10UF 20.00% 50V		
226		A	CAPACITOR		C7165	1-126-404-11	ELECT CHIP 4.7UF 20.00% 50V		
227		A	CAPACITOR		C7166	1-128-235-11	ELECT CHIP 0.47UF 20.00% 50V		
228		A	CAPACITOR		C8401	1-165-908-11	CERAMIC CHIP 1UF 10% 10V		
229		A	CAPACITOR		C8402	1-100-309-21	ELECT CHIP 22UF 20% 25V		
230		A	CAPACITOR		C8403	1-135-960-91	CERAMIC CHIP 10UF 10% 25V		
231		A	CAPACITOR		C8405	1-165-176-11	CERAMIC CHIP 0.047UF 10.00% 16V		
232		A	CAPACITOR		C8406	1-162-970-11	CERAMIC CHIP 0.01UF 10.00% 25V		
233		A	CAPACITOR		C8407	1-125-889-91	CERAMIC CHIP 2.2UF 10% 10V		
234		A	CAPACITOR		C8408	1-164-156-11	CERAMIC CHIP 0.1UF 25V		
235		A	CAPACITOR		C8409	1-135-599-11	ELECT CHIP 39UF 20% 16V		
236		A	CAPACITOR		C8410	1-165-681-21	ELECT CHIP 180UF 20% 16V		
237		A	CAPACITOR		C8411	1-162-927-11	CERAMIC CHIP 100PF 5.00% 50V		
238		A	CAPACITOR		C8412	1-164-004-11	CERAMIC CHIP 0.1UF 10.00% 25V		
239		A	CAPACITOR		C8413	1-164-004-11	CERAMIC CHIP 0.1UF 10.00% 25V		
240		A	CAPACITOR		C8414	1-165-947-91	CERAMIC CHIP 2.2UF 10% 25V		
241		A	CAPACITOR		C8415	1-115-566-11	CERAMIC CHIP 4.7UF 10.00% 10V		
242		A	CAPACITOR		C8416	1-163-021-91	CERAMIC CHIP 0.01UF 10.00% 50V		
243		A	CAPACITOR		C8417	1-162-970-11	CERAMIC CHIP 0.01UF 10.00% 25V		
244		A	CAPACITOR		C8426	1-100-309-21	ELECT CHIP 22UF 20% 25V		
245		A	CAPACITOR		C8427	1-100-309-21	ELECT CHIP 22UF 20% 25V		
246		A	CAPACITOR		C8428	1-115-340-11	CERAMIC CHIP 0.22UF 10.00% 25V		
247		A	CAPACITOR		C8429	1-128-706-22	TANTAL. CHIP 150UF 20% 6.3V		
248		A	CAPACITOR		C8430	1-128-706-22	TANTAL. CHIP 150UF 20% 6.3V		
249		A	CAPACITOR		C8431	1-127-692-11	CERAMIC CHIP 10UF 10% 16V		
250		A	CAPACITOR		C8432	1-162-970-11	CERAMIC CHIP 0.01UF 10.00% 25V		
251		A	CAPACITOR		C8433	1-107-826-11	CERAMIC CHIP 0.1UF 10.00% 16V		
252		A	CAPACITOR		C8434	1-162-923-11	CERAMIC CHIP 47PF 5.00% 50V		
253		A	CAPACITOR		C8435	1-162-970-11	CERAMIC CHIP 0.01UF 10.00% 25V		
254		A	CAPACITOR		C8436	1-162-970-11	CERAMIC CHIP 0.01UF 10.00% 25V		
255		A	CAPACITOR		C8437	1-162-970-11	CERAMIC CHIP 0.01UF 10.00% 25V		
256		A	CAPACITOR		C8438	1-165-787-21	TANTAL. CHIP 220UF 20% 6.3V		
257		A	CAPACITOR		C8439	1-165-787-21	TANTAL. CHIP 220UF 20% 6.3V		
258		A	CAPACITOR		C8440	1-162-970-11	CERAMIC CHIP 0.01UF 10.00% 25V		
259		A	CAPACITOR		C8441	1-162-970-11	CERAMIC CHIP 0.01UF 10.00% 25V		
260		A	CAPACITOR		C8442	1-127-692-11	CERAMIC CHIP 10UF 10% 16V		
261		A	CAPACITOR		C8443	1-107-826-11	CERAMIC CHIP 0.1UF 10.00% 16V		
262		A	CAPACITOR		C8444	1-127-692-11	CERAMIC CHIP 10UF 10% 16V		
263		A	CAPACITOR		C8445	1-115-340-11	CERAMIC CHIP 0.22UF 10.00% 25V		
264		A	CAPACITOR		C8447	1-165-908-11	CERAMIC CHIP 1UF 10% 10V		
265		A	CAPACITOR		C8448	1-100-309-21	ELECT CHIP 22UF 20% 25V		
266		A	CAPACITOR		C8449	1-135-960-91	CERAMIC CHIP 10UF 10% 25V		
267		A	CAPACITOR		C8450	1-162-966-11	CERAMIC CHIP 0.0022UF 10.00% 50V		
268		A	CAPACITOR		C8451	1-165-176-11	CERAMIC CHIP 0.047UF 10.00% 16V		
269		A	CAPACITOR		C8452	1-162-970-11	CERAMIC CHIP 0.01UF 10.00% 25V		
270		A	CAPACITOR		C8453	1-125-889-91	CERAMIC CHIP 2.2UF 10% 10V		
271		A	CAPACITOR		C8454	1-164-156-11	CERAMIC CHIP 0.1UF 25V		
272		A	CAPACITOR		C8455	1-135-599-11	ELECT CHIP 39UF 20% 16V		
273		A	CAPACITOR		C8456	1-165-681-21	ELECT CHIP 180UF 20% 16V		
274		A	CAPACITOR		C8457	1-162-927-11	CERAMIC CHIP 100PF 5.00% 50V		
275		A	CAPACITOR		C8458	1-164-004-11	CERAMIC CHIP 0.1UF 10.00% 25V		
276		A	CAPACITOR		C8459	1-164-004-11	CERAMIC CHIP 0.1UF 10.00% 25V		
277		A	CAPACITOR		C8460	1-165-947-91	CERAMIC CHIP 2.2UF 10% 25V		
278		A	CAPACITOR		C8461	1-115-566-11	CERAMIC CHIP 4.7UF 10.00% 10V		
279		A	CAPACITOR		C8462	1-163-021-91	CERAMIC CHIP 0.01UF 10.00% 50V		
280		A	CAPACITOR		C8463	1-109-982-11	CERAMIC CHIP 1UF 10.00% 10V		
281		A	CAPACITOR		C8464	1-109-982-11	CERAMIC CHIP 1UF 10.00% 10V		
282		A	CAPACITOR		C8470	1-109-982-11	CERAMIC CHIP 1UF 10.00% 10V		
283		A	CAPACITOR		C8471	1-109-982-11	CERAMIC CHIP 1UF 10.00% 10V		
284		A	CAPACITOR		C8472	1-109-982-11	CERAMIC CHIP 1UF 10.00% 10V		
285		A	CAPACITOR		C8473	1-109-982-11	CERAMIC CHIP 1UF 10.00% 10V		
286		A	CAPACITOR		C8474	1-109-982-11	CERAMIC CHIP 1UF 10.00% 10V		
287		A	CAPACITOR		C8475	1-109-982-11	CERAMIC CHIP 1UF 10.00% 10V		
288		A	CAPACITOR		C8476	1-128-706-22	TANTAL. CHIP 150UF 20% 6.3V		
289		A	CAPACITOR		C8477	1-125-827-91	CERAMIC CHIP 1UF 10.00% 25V		
290		A	CAPACITOR		C8478	1-125-827-91	CERAMIC CHIP 1UF 10.00% 25V		
291		A	CAPACITOR		C8479	1-165-908-11	CERAMIC CHIP 1UF 10% 10V		
292		A	CAPACITOR		C8480	1-107-826-11	CERAMIC CHIP 0.1UF 10.00% 16V		

No.	#	Board	Type	△/▽*	Ref. No.	Part No.	Description	Remarks-1	Remarks-2
293		A	CAPACITOR		C8486	1-164-156-11	CERAMIC CHIP 0.1UF 25V		
294		A	CAPACITOR		C8604	1-164-173-11	CERAMIC CHIP 0.0039UF 10.00% 50V		
295		A	CAPACITOR		C8611	1-162-970-11	CERAMIC CHIP 0.01UF 10.00% 25V		
296		A	CAPACITOR		C8666	1-137-894-21	ELECT CHIP 470UF 20% 25V		
297		A	CAPACITOR		C8667	1-128-992-21	ELECT CHIP 47UF 20% 25V		
298		A	CAPACITOR		C8695	1-162-970-11	CERAMIC CHIP 0.01UF 10.00% 25V		
299		A	CAPACITOR		C8696	1-137-894-21	ELECT CHIP 470UF 20% 25V		
300		A	CAPACITOR		C8697	1-137-894-21	ELECT CHIP 470UF 20% 25V		
301		A	CAPACITOR		C8698	1-127-760-11	CERAMIC CHIP 4.7UF 10% 6.3V		
302		A	CAPACITOR		C9009	1-125-891-11	CERAMIC CHIP 0.47UF 10.00% 10V		
303		A	CAPACITOR		C9010	1-127-573-11	CERAMIC CHIP 1UF 10% 16V		
304		A	CAPACITOR		C9011	1-107-826-11	CERAMIC CHIP 0.1UF 10.00% 16V		
305		A	CAPACITOR		C9012	1-126-404-11	ELECT CHIP 4.7UF 20.00% 50V		
306		A	CAPACITOR		C9013	1-126-404-11	ELECT CHIP 4.7UF 20.00% 50V		
307		A	CAPACITOR		C9015	1-127-573-11	CERAMIC CHIP 1UF 10% 16V		
308		A	CAPACITOR		C9016	1-127-573-11	CERAMIC CHIP 1UF 10% 16V		
309		A	CAPACITOR		C9017	1-127-573-11	CERAMIC CHIP 1UF 10% 16V		
310		A	CAPACITOR		C9024	1-115-566-11	CERAMIC CHIP 4.7UF 10.00% 10V		
311		A	CONNECTOR		CN3201	1-770-653-11	"CONNECTOR, FFC/FPC 25P"		
312		A	CONNECTOR		CN3202	1-770-653-11	"CONNECTOR, FFC/FPC 25P"		
313		A	CONNECTOR		CN6006	1-573-842-11	"CONNECTOR, BOARD TO BOARD 10P"		
314		A	CONNECTOR		CN6007	1-573-842-11	"CONNECTOR, BOARD TO BOARD 10P"		
315		A	CONNECTOR		CN7001	1-573-290-21	"PIN, CONNECTOR (1.5MM) (SMD)4P"		
316		A	CONNECTOR	*	CN7002	1-770-470-21	"PIN, CONNECTOR (PC BOARD) 6P"		
317		A	CONNECTOR		CN8602	1-770-653-11	"CONNECTOR, FFC/FPC 25P"		
318		A	CONNECTOR		CN8603	1-766-382-21	"PIN, CONNECTOR (1.5MM)(SMD)10P"		
319		A	CONNECTOR		CN9001	1-695-915-11	TAB (CONTACT)		
320		A	CONNECTOR		CN9002	1-695-915-11	TAB (CONTACT)		
321		A	DIODE		D6005	8-719-404-50	DIODE MA111-TX		
322		A	DIODE		D7006	8-719-404-50	DIODE MA111-TX		
323		A	DIODE		D7007	8-719-404-50	DIODE MA111-TX		
324		A	DIODE		D7008	8-719-404-50	DIODE MA111-TX		
325		A	DIODE		D7010	8-719-404-50	DIODE MA111-TX		
326		A	DIODE		D7011	8-719-404-50	DIODE MA111-TX		
327		A	DIODE		D7013	8-719-404-50	DIODE MA111-TX		
328		A	DIODE		D7014	8-719-404-50	DIODE MA111-TX		
329		A	DIODE		D7015	8-719-404-50	DIODE MA111-TX		
330		A	DIODE		D7016	8-719-404-50	DIODE MA111-TX		
331		A	DIODE		D7017	8-719-404-50	DIODE MA111-TX		
332		A	DIODE		D8401	8-719-081-34	DIODE RB160M-30TR		
333		A	DIODE		D8402	8-719-080-41	DIODE RB063L-30TE25		
334		A	DIODE		D8403	8-719-069-55	DIODE UDZSTE-175.6B		
335		A	DIODE		D8406	8-719-404-50	DIODE MA111-TX		
336		A	DIODE		D8415	8-719-078-02	DIODE 1SS357(T3SONY1)		
337		A	DIODE		D8416	8-719-073-92	DIODE RB060L-40TE25		
338		A	DIODE		D8417	8-719-073-92	DIODE RB060L-40TE25		
339		A	DIODE		D8419	8-719-078-02	DIODE 1SS357(T3SONY1)		
340		A	DIODE		D8420	8-719-081-34	DIODE RB160M-30TR		
341		A	DIODE		D8421	8-719-080-41	DIODE RB063L-30TE25		
342		A	DIODE		D8424	6-500-294-01	DIODE PTZ-TE25-3.9B		
343		A	DIODE		D8425	6-500-295-01	DIODE PTZ-TE25-5.6B		
344		A	DIODE		D8426	6-500-295-01	DIODE PTZ-TE25-5.6B		
345		A	DIODE		D8427	6-500-295-01	DIODE PTZ-TE25-5.6B		
346		A	DIODE		D8428	6-500-296-01	DIODE PTZ-TE25-10B		
347		A	DIODE		D8431	8-719-404-50	DIODE MA111-TX		
348		A	DIODE		D8432	8-719-062-37	DIODE HZU3.9B1TRF		
349		A	DIODE		D8433	8-719-976-99	DIODE DTZ5.1B		
350		A	DIODE		D8434	8-719-976-99	DIODE DTZ5.1B		
351		A	DIODE		D8606	8-719-083-82	DIODE UDZS-TE17-12B		
352		A	DIODE		D8609	8-719-077-19	DIODE C10T03QL-11A		
353		A	DIODE		D8616	8-719-404-50	DIODE MA111-TX		
354		A	DIODE		D8622	8-719-083-61	DIODE UDZSTE-1711B		
355		A	DIODE		D9011	8-719-977-28	DIODE DTZ10B		
356		A	DIODE		D9013	8-719-977-28	DIODE DTZ10B		
357		A	DIODE		D9014	8-719-977-28	DIODE DTZ10B		
358		A	DIODE		D9016	8-719-977-28	DIODE DTZ10B		
359		A	FUSE	!	F7003	1-533-940-21	IC LINK 1.2A 50V		
360		A	FUSE	!	F7004	1-533-940-21	IC LINK 1.2A 50V		
361		A	FUSE	!	F8401	1-576-269-21	FUSE 3.15A 125V		
362		A	FUSE	!	F8403	1-533-999-21	FUSE 2A 125V		
363		A	FUSE	!	F8404	1-533-922-21	FUSE 1A 63V		
364		A	FUSE	!	F8405	1-533-922-21	FUSE 1A 63V		
365		A	FUSE	!	F8406	1-533-952-21	FUSE 3.15A 63V		

No.	#	Board	Type	△/*	Ref. No.	Part No.	Description	Remarks-1	Remarks-2
366		A	FUSE	!	F8407	1-533-922-21	FUSE 1A 63V		
367		A	FUSE	!	F8601	1-576-233-11	FUSE 6.3A 250V		
368		A	FUSE	!	F8602	1-533-477-11	FUSE 8A 125V		
369		A	FERRITE BEAD		FB7001	1-469-775-21	FERRITE 0UH		
370		A	FERRITE BEAD		FB7002	1-414-226-21	FERRITE 0UH		
371		A	FERRITE BEAD		FB7003	1-414-226-21	FERRITE 0UH		
372		A	FERRITE BEAD		FB7004	1-216-295-91	SHORT CHIP 0		
373		A	FERRITE BEAD		FB7005	1-500-329-21	FERRITE 0UH		
374		A	FERRITE BEAD		FB7006	1-500-329-21	FERRITE 0UH		
375		A	FERRITE BEAD		FB7007	1-500-329-21	FERRITE 0UH		
376		A	FERRITE BEAD		FB7017	1-414-226-21	FERRITE 0UH		
377		A	FERRITE BEAD		FB8403	1-216-295-91	SHORT CHIP 0		
378		A	FERRITE BEAD		FB8404	1-216-295-91	SHORT CHIP 0		
379		A	FERRITE BEAD		FB8405	1-469-869-21	FERRITE 0UH		
380		A	FERRITE BEAD		FB8406	1-469-869-21	FERRITE 0UH		
381		A	FERRITE BEAD		FB8407	1-469-869-21	FERRITE 0UH		
382		A	FERRITE BEAD		FB8408	1-469-869-21	FERRITE 0UH		
383		A	FERRITE BEAD		FB8409	1-469-869-21	FERRITE 0UH		
384		A	FERRITE BEAD		FB8410	1-469-869-21	FERRITE 0UH		
385		A	FERRITE BEAD		FB8421	1-414-234-22	FERRITE 0UH		
386		A	FUSE HOLDER		FH8601	1-533-223-11	FUSE HOLDER 0A 0V		
387		A	FUSE HOLDER		FH8602	1-533-223-11	FUSE HOLDER 0A 0V		
388		A	IC		IC3201	8-752-087-76	ICCXA2089Q-T6		
389		A	IC		IC6001	8-749-925-00	IC TK11819MTL		
390		A	IC		IC7001	8-759-460-79	IC BA09FP-E2		
391		A	IC		IC7003	8-759-273-12	IC TDA7315D013TR		
392		A	IC		IC7006	8-759-278-58	IC NJM4558V-TE2		
393		A	IC		IC7007	8-759-278-58	IC NJM4558V-TE2		
394		A	IC		IC7009	6-702-466-01	IC TPA3000D1PWPR		
395		A	IC		IC7010	6-702-466-01	IC TPA3000D1PWPR		
396		A	IC		IC7011	8-759-100-93	IC UPC393G2		
397		A	IC		IC7012	8-759-075-70	IC TA75S393F		
398		A	IC		IC7013	8-759-359-49	IC NJM3414AV(TE2)		
399		A	IC		IC8401	6-702-259-01	IC TPS5103IDBR		
400		A	IC		IC8402	6-702-510-01	IC TPS5120DBTR		
401		A	IC		IC8403	8-729-052-07	TRANSISTOR HAT2064R-EL		
402		A	IC		IC8404	6-702-259-01	IC TPS5103IDBR		
403		A	IC		IC8405	8-729-052-07	TRANSISTOR HAT2064R-EL		
404		A	IC		IC8408	8-759-701-01	IC NJM2904M		
405		A	SOCKET		J7001	1-794-623-11	"JACK, PIN 2P"		
406		A	SOCKET		J8601	1-695-619-11	"JACK, DC"		
407		A	SOCKET	*	J9002	1-816-949-11	PIN JACK 3P		
408		A	SOCKET		J9003	1-770-054-11	"TERMINAL BLOCK, S(LIGHT ANGLE)"		
409		A	SOCKET		J9004	1-794-623-11	"JACK, PIN 2P"		
410		A	SHORT CHIP		JR7002	1-216-864-11	SHORT CHIP 0		
411		A	COIL		L3201	1-469-526-91	INDUCTOR 22UH		
412		A	COIL		L3202	1-412-029-11	INDUCTOR 10UH		
413		A	COIL		L6001	1-412-550-11	INDUCTOR 1.2MH		
414		A	COIL		L6002	1-412-030-11	INDUCTOR 22UH		
415		A	COIL		L6003	1-412-030-11	INDUCTOR 22UH		
416		A	COIL		L6004	1-412-030-11	INDUCTOR 22UH		
417		A	COIL		L6005	1-412-030-11	INDUCTOR 22UH		
418		A	COIL		L6006	1-469-528-91	INDUCTOR 100UH		
419		A	COIL		L6022	1-414-854-41	INDUCTOR 1MH		
420		A	COIL		L7001	1-412-026-11	INDUCTOR 1UH		
421		A	COIL		L7002	1-412-026-11	INDUCTOR 1UH		
422		A	COIL		L7003	1-412-026-11	INDUCTOR 1UH		
423		A	COIL		L7004	1-412-026-11	INDUCTOR 1UH		
424		A	COIL		L7005	1-400-323-21	INDUCTOR 47UH		
425		A	COIL		L7006	1-400-323-21	INDUCTOR 47UH		
426		A	COIL		L7007	1-400-323-21	INDUCTOR 47UH		
427		A	COIL		L7008	1-412-026-11	INDUCTOR 1UH		
428		A	COIL		L7009	1-412-026-11	INDUCTOR 1UH		
429		A	COIL		L7010	1-400-323-21	INDUCTOR 47UH		
430		A	COIL		L7011	1-412-026-11	INDUCTOR 1UH		
431		A	COIL		L7012	1-412-026-11	INDUCTOR 1UH		
432		A	COIL		L7019	1-469-525-91	INDUCTOR 10UH		
433		A	COIL		L8401	1-456-065-21	INDUCTOR 22UH		
434		A	COIL		L8402	1-414-617-11	INDUCTOR 10UH		
435		A	COIL		L8403	1-414-617-11	INDUCTOR 10UH		
436		A	COIL		L8404	1-456-065-21	INDUCTOR 22UH		
437		A	COIL		L8610	1-469-816-21	INDUCTOR (EMI REMOVE FILTER)		
438		A	TRANSISTOR		Q3207	8-729-422-27	TRANSISTOR 2SD601A-Q		

No.	#	Board	Type	Δ/∇ *	Ref. No.	Part No.	Description	Remarks-1	Remarks-2
439		A	TRANSISTOR		Q3209	8-729-422-27	TRANSISTOR 2SD601A-Q		
440		A	TRANSISTOR		Q6011	8-729-422-27	TRANSISTOR 2SD601A-Q		
441		A	TRANSISTOR		Q6020	8-729-424-02	TRANSISTOR 2SB709A-QRS-TX		
442		A	TRANSISTOR		Q6025	8-729-422-27	TRANSISTOR 2SD601A-Q		
443		A	TRANSISTOR		Q6026	8-729-216-22	TRANSISTOR 2SA1162-G		
444		A	TRANSISTOR		Q6060	8-729-907-00	TRANSISTOR DTC114EU		
445		A	TRANSISTOR		Q6061	8-729-907-00	TRANSISTOR DTC114EU		
446		A	TRANSISTOR		Q6062	8-729-907-00	TRANSISTOR DTC114EU		
447		A	TRANSISTOR		Q6063	8-729-907-00	TRANSISTOR DTC114EU		
448		A	TRANSISTOR		Q7001	8-729-043-29	TRANSISTOR PDTC144EK-115		
449		A	TRANSISTOR		Q7006	8-729-025-28	TRANSISTOR 2SK1828		
450		A	TRANSISTOR		Q7007	8-729-025-28	TRANSISTOR 2SK1828		
451		A	TRANSISTOR		Q7008	8-729-044-58	TRANSISTOR SI2304DS-T1		
452		A	TRANSISTOR		Q7009	8-729-044-58	TRANSISTOR SI2304DS-T1		
453		A	TRANSISTOR		Q7011	8-729-044-58	TRANSISTOR SI2304DS-T1		
454		A	TRANSISTOR		Q7012	8-729-044-58	TRANSISTOR SI2304DS-T1		
455		A	TRANSISTOR		Q7014	8-729-807-12	TRANSISTOR 2SD1802-S		
456		A	TRANSISTOR		Q7015	8-729-807-12	TRANSISTOR 2SD1802-S		
457		A	TRANSISTOR		Q7016	8-729-043-29	TRANSISTOR PDTC144EK-115		
458		A	TRANSISTOR		Q7017	8-729-044-58	TRANSISTOR SI2304DS-T1		
459		A	TRANSISTOR		Q7018	8-729-044-58	TRANSISTOR SI2304DS-T1		
460		A	TRANSISTOR		Q8401	8-729-052-07	TRANSISTOR HAT2064R-EL		
461		A	TRANSISTOR		Q8402	8-729-052-07	TRANSISTOR HAT2064R-EL		
462		A	TRANSISTOR		Q8404	8-729-054-36	TRANSISTOR UPA1716G-E2		
463		A	TRANSISTOR		Q8405	8-729-052-07	TRANSISTOR HAT2064R-EL		
464		A	TRANSISTOR		Q8406	8-729-907-00	TRANSISTOR DTC114EU		
465		A	TRANSISTOR		Q8407	8-729-052-07	TRANSISTOR HAT2064R-EL		
466		A	TRANSISTOR		Q8408	8-729-054-36	TRANSISTOR UPA1716G-E2		
467		A	TRANSISTOR		Q8409	8-729-052-07	TRANSISTOR HAT2064R-EL		
468		A	TRANSISTOR		Q8410	8-729-907-00	TRANSISTOR DTC114EU		
469		A	TRANSISTOR		Q8411	8-729-052-07	TRANSISTOR HAT2064R-EL		
470		A	TRANSISTOR		Q8619	8-729-026-53	TRANSISTOR 2SA1576A-T106-QR		
471		A	TRANSISTOR		Q8620	8-729-026-53	TRANSISTOR 2SA1576A-T106-QR		
472		A	TRANSISTOR		Q8625	8-729-216-22	TRANSISTOR 2SA1162-G		
473		A	RESISTOR		R3201	1-216-825-11	METAL CHIP 2.2K 5% 1/10W		
474		A	RESISTOR		R3202	1-216-825-11	METAL CHIP 2.2K 5% 1/10W		
475		A	RESISTOR		R3207	1-216-809-11	METAL CHIP 100 5% 1/10W		
476		A	RESISTOR		R3208	1-216-809-11	METAL CHIP 100 5% 1/10W		
477		A	RESISTOR		R3210	1-216-837-11	METAL CHIP 22K 5% 1/10W		
478		A	RESISTOR		R3211	1-216-837-11	METAL CHIP 22K 5% 1/10W		
479		A	RESISTOR		R3225	1-216-864-11	SHORT CHIP 0		
480		A	RESISTOR		R3226	1-216-864-11	SHORT CHIP 0		
481		A	RESISTOR		R3227	1-216-801-11	METAL CHIP 22 5% 1/10W		
482		A	RESISTOR		R3231	1-216-864-11	SHORT CHIP 0		
483		A	RESISTOR		R3232	1-216-864-11	SHORT CHIP 0		
484		A	RESISTOR		R3233	1-216-801-11	METAL CHIP 22 5% 1/10W		
485		A	RESISTOR		R3235	1-216-809-11	METAL CHIP 100 5% 1/10W		
486		A	RESISTOR		R3237	1-216-821-11	METAL CHIP 1K 5% 1/10W		
487		A	RESISTOR		R3238	1-216-821-11	METAL CHIP 1K 5% 1/10W		
488		A	RESISTOR		R3243	1-216-864-11	SHORT CHIP 0		
489		A	RESISTOR		R3244	1-216-864-11	SHORT CHIP 0		
490		A	RESISTOR		R3254	1-216-864-11	SHORT CHIP 0		
491		A	RESISTOR		R3258	1-216-864-11	SHORT CHIP 0		
492		A	RESISTOR		R3259	1-216-864-11	SHORT CHIP 0		
493		A	RESISTOR		R3260	1-216-864-11	SHORT CHIP 0		
494		A	RESISTOR		R6005	1-218-692-11	METAL CHIP 1K 0.5% 1/10W		
495		A	RESISTOR		R6008	1-216-805-11	METAL CHIP 47 5% 1/10W		
496		A	RESISTOR		R6020	1-216-813-11	METAL CHIP 220 5% 1/10W		
497		A	RESISTOR		R6022	1-218-684-11	METAL CHIP 470 0.5% 1/10W		
498		A	RESISTOR		R6024	1-218-689-11	METAL CHIP 750 0.5% 1/10W		
499		A	RESISTOR		R6047	1-216-805-11	METAL CHIP 47 5% 1/10W		
500		A	RESISTOR		R6050	1-216-864-11	SHORT CHIP 0		
501		A	RESISTOR		R6051	1-216-864-11	SHORT CHIP 0		
502		A	RESISTOR		R6052	1-216-864-11	SHORT CHIP 0		
503		A	RESISTOR		R6053	1-216-864-11	SHORT CHIP 0		
504		A	RESISTOR		R6055	1-216-864-11	SHORT CHIP 0		
505		A	RESISTOR		R6056	1-216-864-11	SHORT CHIP 0		
506		A	RESISTOR		R6057	1-216-841-11	METAL CHIP 47K 5% 1/10W		
507		A	RESISTOR		R6058	1-216-841-11	METAL CHIP 47K 5% 1/10W		
508		A	RESISTOR		R6059	1-216-827-11	METAL CHIP 3.3K 5% 1/10W		
509		A	RESISTOR		R6060	1-216-833-11	METAL CHIP 10K 5% 1/10W		
510		A	RESISTOR		R6061	1-216-821-11	METAL CHIP 1K 5% 1/10W		
511		A	RESISTOR		R6089	1-216-823-11	METAL CHIP 1.5K 5% 1/10W		

No.	#	Board	Type	Δ / ∇ *	Ref. No.	Part No.	Description	Remarks-1	Remarks-2
512		A	RESISTOR		R6090	1-216-857-11	METAL CHIP 1M 5% 1/10W		
513		A	RESISTOR		R6091	1-216-828-11	METAL CHIP 3.9K 5% 1/10W		
514		A	RESISTOR		R6092	1-216-826-11	METAL CHIP 2.7K 5% 1/10W		
515		A	RESISTOR		R6093	1-216-829-11	METAL CHIP 4.7K 5% 1/10W		
516		A	RESISTOR		R6094	1-216-857-11	METAL CHIP 1M 5% 1/10W		
517		A	RESISTOR		R6095	1-216-829-11	METAL CHIP 4.7K 5% 1/10W		
518		A	RESISTOR		R6116	1-216-809-11	METAL CHIP 100 5% 1/10W		
519		A	RESISTOR		R6118	1-216-821-11	METAL CHIP 1K 5% 1/10W		
520		A	RESISTOR		R6121	1-216-864-11	SHORT CHIP 0		
521		A	RESISTOR		R6122	1-216-864-11	SHORT CHIP 0		
522		A	RESISTOR		R7002	1-216-841-11	METAL CHIP 47K 5% 1/10W		
523		A	RESISTOR		R7003	1-216-809-11	METAL CHIP 100 5% 1/10W		
524		A	RESISTOR		R7005	1-216-833-11	METAL CHIP 10K 5% 1/10W		
525		A	RESISTOR		R7006	1-216-821-11	METAL CHIP 1K 5% 1/10W		
526		A	RESISTOR		R7007	1-216-845-11	METAL CHIP 100K 5% 1/10W		
527		A	RESISTOR		R7008	1-216-851-11	METAL CHIP 330K 5% 1/10W		
528		A	RESISTOR		R7018	1-216-864-11	SHORT CHIP 0		
529		A	RESISTOR		R7020	1-216-864-11	SHORT CHIP 0		
530		A	RESISTOR		R7021	1-216-864-11	SHORT CHIP 0		
531		A	RESISTOR		R7022	1-216-864-11	SHORT CHIP 0		
532		A	RESISTOR		R7024	1-216-864-11	SHORT CHIP 0		
533		A	RESISTOR		R7025	1-216-864-11	SHORT CHIP 0		
534		A	RESISTOR		R7038	1-216-837-11	METAL CHIP 22K 5% 1/10W		
535		A	RESISTOR		R7039	1-216-821-11	METAL CHIP 1K 5% 1/10W		
536		A	RESISTOR		R7044	1-216-829-11	METAL CHIP 4.7K 5% 1/10W		
537		A	RESISTOR		R7045	1-216-829-11	METAL CHIP 4.7K 5% 1/10W		
538		A	RESISTOR		R7046	1-216-809-11	METAL CHIP 100 5% 1/10W		
539		A	RESISTOR		R7047	1-216-809-11	METAL CHIP 100 5% 1/10W		
540		A	RESISTOR		R7051	1-216-864-11	SHORT CHIP 0		
541		A	RESISTOR		R7052	1-216-864-11	SHORT CHIP 0		
542		A	RESISTOR		R7053	1-216-833-11	METAL CHIP 10K 5% 1/10W		
543		A	RESISTOR		R7054	1-216-840-11	METAL CHIP 39K 5% 1/10W		
544		A	RESISTOR		R7055	1-216-828-11	METAL CHIP 3.9K 5% 1/10W		
545		A	RESISTOR		R7056	1-216-828-11	METAL CHIP 3.9K 5% 1/10W		
546		A	RESISTOR		R7060	1-218-717-11	METAL CHIP 11K 0.5% 1/10W		
547		A	RESISTOR		R7061	1-216-833-11	METAL CHIP 10K 5% 1/10W		
548		A	RESISTOR		R7068	1-218-344-11	METAL CHIP 7.5K 5% 1/10W		
549		A	RESISTOR		R7070	1-216-842-11	METAL CHIP 56K 5% 1/10W		
550		A	RESISTOR		R7071	1-218-344-11	METAL CHIP 7.5K 5% 1/10W		
551		A	RESISTOR		R7073	1-216-842-11	METAL CHIP 56K 5% 1/10W		
552		A	RESISTOR		R7082	1-216-829-11	METAL CHIP 4.7K 5% 1/10W		
553		A	RESISTOR		R7087	1-216-864-11	SHORT CHIP 0		
554		A	RESISTOR		R7088	1-216-864-11	SHORT CHIP 0		
555		A	RESISTOR		R7089	1-216-864-11	SHORT CHIP 0		
556		A	RESISTOR		R7090	1-216-864-11	SHORT CHIP 0		
557		A	RESISTOR		R7091	1-216-829-11	METAL CHIP 4.7K 5% 1/10W		
558		A	RESISTOR		R7093	1-216-829-11	METAL CHIP 4.7K 5% 1/10W		
559		A	RESISTOR		R7094	1-216-829-11	METAL CHIP 4.7K 5% 1/10W		
560		A	RESISTOR		R7099	1-216-864-11	SHORT CHIP 0		
561		A	RESISTOR		R7100	1-216-864-11	SHORT CHIP 0		
562		A	RESISTOR		R7102	1-216-821-11	METAL CHIP 1K 5% 1/10W		
563		A	RESISTOR		R7107	1-216-809-11	METAL CHIP 100 5% 1/10W		
564		A	RESISTOR		R7108	1-216-809-11	METAL CHIP 100 5% 1/10W		
565		A	RESISTOR		R7112	1-216-846-11	METAL CHIP 120K 5% 1/10W		
566		A	RESISTOR		R7114	1-216-846-11	METAL CHIP 120K 5% 1/10W		
567		A	RESISTOR		R7118	1-216-849-11	METAL CHIP 220K 5% 1/10W		
568		A	RESISTOR		R7121	1-216-849-11	METAL CHIP 220K 5% 1/10W		
569		A	RESISTOR		R7123	1-216-841-11	METAL CHIP 47K 5% 1/10W		
570		A	RESISTOR		R7125	1-216-849-11	METAL CHIP 220K 5% 1/10W		
571		A	RESISTOR		R7126	1-216-849-11	METAL CHIP 220K 5% 1/10W		
572		A	RESISTOR		R7128	1-216-849-11	METAL CHIP 220K 5% 1/10W		
573		A	RESISTOR		R7129	1-216-849-11	METAL CHIP 220K 5% 1/10W		
574		A	RESISTOR		R7131	1-216-851-11	METAL CHIP 330K 5% 1/10W		
575		A	RESISTOR		R7135	1-216-825-11	METAL CHIP 2.2K 5% 1/10W		
576		A	RESISTOR		R7136	1-216-825-11	METAL CHIP 2.2K 5% 1/10W		
577		A	RESISTOR		R7137	1-216-825-11	METAL CHIP 2.2K 5% 1/10W		
578		A	RESISTOR		R7138	1-216-825-11	METAL CHIP 2.2K 5% 1/10W		
579		A	RESISTOR		R7139	1-216-829-11	METAL CHIP 4.7K 5% 1/10W		
580		A	RESISTOR		R7140	1-216-829-11	METAL CHIP 4.7K 5% 1/10W		
581		A	RESISTOR		R7141	1-218-271-11	METAL CHIP 2K 5% 1/10W		
582		A	RESISTOR		R7142	1-218-271-11	METAL CHIP 2K 5% 1/10W		
583		A	RESISTOR		R7143	1-216-829-11	METAL CHIP 4.7K 5% 1/10W		
584		A	RESISTOR		R7144	1-216-829-11	METAL CHIP 4.7K 5% 1/10W		

No.	#	Board	Type	Δ/V^*	Ref. No.	Part No.	Description	Remarks-1	Remarks-2
585		A	RESISTOR		R7146	1-216-830-11	METAL CHIP 5.6K 5% 1/10W		
586		A	RESISTOR		R7147	1-216-830-11	METAL CHIP 5.6K 5% 1/10W		
587		A	RESISTOR		R7148	1-216-845-11	METAL CHIP 100K 5% 1/10W		
588		A	RESISTOR		R7149	1-216-845-11	METAL CHIP 100K 5% 1/10W		
589		A	RESISTOR		R7150	1-216-844-11	METAL CHIP 82K 5% 1/10W		
590		A	RESISTOR		R7151	1-216-841-11	METAL CHIP 47K 5% 1/10W		
591		A	RESISTOR		R7152	1-216-833-11	METAL CHIP 10K 5% 1/10W		
592		A	RESISTOR		R7153	1-216-809-11	METAL CHIP 100 5% 1/10W		
593		A	RESISTOR		R7154	1-216-809-11	METAL CHIP 100 5% 1/10W		
594		A	RESISTOR		R7155	1-220-255-11	RES-CHIP 68 5% 1/4W		
595		A	RESISTOR		R7156	1-220-255-11	RES-CHIP 68 5% 1/4W		
596		A	RESISTOR		R7157	1-216-833-11	METAL CHIP 10K 5% 1/10W		
597		A	RESISTOR		R7158	1-216-833-11	METAL CHIP 10K 5% 1/10W		
598		A	RESISTOR		R7159	1-216-829-11	METAL CHIP 4.7K 5% 1/10W		
599		A	RESISTOR		R7160	1-216-833-11	METAL CHIP 10K 5% 1/10W		
600		A	RESISTOR		R7161	1-216-842-11	METAL CHIP 56K 5% 1/10W		
601		A	RESISTOR		R7162	1-220-261-11	RES-CHIP 470 5% 1/4W		
602		A	RESISTOR		R7163	1-220-261-11	RES-CHIP 470 5% 1/4W		
603		A	RESISTOR		R7164	1-216-805-11	METAL CHIP 47 5% 1/10W		
604		A	RESISTOR		R7165	1-216-829-11	METAL CHIP 4.7K 5% 1/10W		
605		A	RESISTOR		R7166	1-216-833-11	METAL CHIP 10K 5% 1/10W		
606		A	RESISTOR		R7167	1-216-842-11	METAL CHIP 56K 5% 1/10W		
607		A	RESISTOR		R7168	1-220-261-11	RES-CHIP 470 5% 1/4W		
608		A	RESISTOR		R7169	1-220-261-11	RES-CHIP 470 5% 1/4W		
609		A	RESISTOR		R7170	1-216-805-11	METAL CHIP 47 5% 1/10W		
610		A	RESISTOR		R7171	1-216-809-11	METAL CHIP 100 5% 1/10W		
611		A	RESISTOR		R7173	1-216-853-11	METAL CHIP 470K 5% 1/10W		
612		A	RESISTOR		R7174	1-216-821-11	METAL CHIP 1K 5% 1/10W		
613		A	RESISTOR		R7175	1-216-813-11	METAL CHIP 220 5% 1/10W		
614		A	RESISTOR		R7176	1-216-827-11	METAL CHIP 3.3K 5% 1/10W		
615		A	RESISTOR		R7177	1-216-833-11	METAL CHIP 10K 5% 1/10W		
616		A	RESISTOR		R7178	1-216-833-11	METAL CHIP 10K 5% 1/10W		
617		A	RESISTOR		R7179	1-216-833-11	METAL CHIP 10K 5% 1/10W		
618		A	RESISTOR		R7180	1-216-833-11	METAL CHIP 10K 5% 1/10W		
619		A	RESISTOR		R7181	1-216-813-11	METAL CHIP 220 5% 1/10W		
620		A	RESISTOR		R7182	1-216-827-11	METAL CHIP 3.3K 5% 1/10W		
621		A	RESISTOR		R7183	1-216-833-11	METAL CHIP 10K 5% 1/10W		
622		A	RESISTOR		R7184	1-216-833-11	METAL CHIP 10K 5% 1/10W		
623		A	RESISTOR		R7185	1-216-821-11	METAL CHIP 1K 5% 1/10W		
624		A	RESISTOR		R7186	1-216-853-11	METAL CHIP 470K 5% 1/10W		
625		A	RESISTOR		R7187	1-216-829-11	METAL CHIP 4.7K 5% 1/10W		
626		A	RESISTOR		R7189	1-216-829-11	METAL CHIP 4.7K 5% 1/10W		
627		A	RESISTOR		R7191	1-216-809-11	METAL CHIP 100 5% 1/10W		
628		A	RESISTOR		R8401	1-218-708-11	METAL CHIP 4.7K 0.5% 1/10W		
629		A	RESISTOR		R8403	1-218-849-11	METAL CHIP 1.2K 0.5% 1/10W		
630		A	RESISTOR		R8404	1-218-871-11	METAL CHIP 10K 0.5% 1/10W		
631		A	RESISTOR		R8405	1-216-797-11	METAL CHIP 10 5% 1/10W		
632		A	RESISTOR		R8406	1-218-852-11	METAL CHIP 1.6K 0.5% 1/10W		
633		A	RESISTOR		R8407	1-218-893-11	METAL CHIP 82K 0.5% 1/10W		
634		A	RESISTOR		R8408	1-218-867-11	METAL CHIP 6.8K 0.5% 1/10W		
635		A	RESISTOR		R8409	1-216-829-11	METAL CHIP 4.7K 5% 1/10W		
636		A	RESISTOR		R8410	1-216-841-11	METAL CHIP 47K 5% 1/10W		
637		A	RESISTOR		R8411	1-216-841-11	METAL CHIP 47K 5% 1/10W		
638		A	RESISTOR		R8417	1-216-864-11	SHORT CHIP 0		
639		A	RESISTOR		R8428	1-218-713-11	METAL CHIP 7.5K 0.5% 1/10W		
640		A	RESISTOR		R8429	1-202-926-11	METAL CHIP 36K 5% 1/10W		
641		A	RESISTOR		R8430	1-216-793-11	METAL CHIP 4.7 5% 1/10W		
642		A	RESISTOR		R8431	1-218-344-11	METAL CHIP 7.5K 5% 1/10W		
643		A	RESISTOR		R8432	1-216-845-11	METAL CHIP 100K 5% 1/10W		
644		A	RESISTOR		R8433	1-216-833-11	METAL CHIP 10K 5% 1/10W		
645		A	RESISTOR		R8436	1-216-845-11	METAL CHIP 100K 5% 1/10W		
646		A	RESISTOR		R8437	1-216-845-11	METAL CHIP 100K 5% 1/10W		
647		A	RESISTOR		R8439	1-216-864-11	SHORT CHIP 0		
648		A	RESISTOR		R8440	1-216-837-11	METAL CHIP 22K 5% 1/10W		
649		A	RESISTOR		R8441	1-216-837-11	METAL CHIP 22K 5% 1/10W		
650		A	RESISTOR		R8444	1-218-751-11	METAL CHIP 300K 0.5% 1/10W		
651		A	RESISTOR		R8445	1-216-829-11	METAL CHIP 4.7K 5% 1/10W		
652		A	RESISTOR		R8446	1-216-864-11	SHORT CHIP 0		
653		A	RESISTOR		R8447	1-216-839-11	METAL CHIP 33K 5% 1/10W		
654		A	RESISTOR		R8449	1-218-717-11	METAL CHIP 11K 0.5% 1/10W		
655		A	RESISTOR		R8450	1-216-793-11	METAL CHIP 4.7 5% 1/10W		
656		A	RESISTOR		R8452	1-216-834-11	METAL CHIP 12K 5% 1/10W		
657		A	RESISTOR		R8453	1-202-926-11	METAL CHIP 36K 5% 1/10W		

No.	#	Board	Type	Δ/V^*	Ref. No.	Part No.	Description	Remarks-1	Remarks-2
658		A	RESISTOR		R8454	1-218-708-11	METAL CHIP 4.7K 0.5% 1/10W		
659		A	RESISTOR		R8456	1-218-694-11	METAL CHIP 1.2K 0.5% 1/10W		
660		A	RESISTOR		R8457	1-218-714-11	METAL CHIP 8.2K 0.5% 1/10W		
661		A	RESISTOR		R8458	1-216-797-11	METAL CHIP 10 5% 1/10W		
662		A	RESISTOR		R8459	1-218-852-11	METAL CHIP 1.6K 0.5% 1/10W		
663		A	RESISTOR		R8460	1-218-893-11	METAL CHIP 82K 0.5% 1/10W		
664		A	RESISTOR		R8461	1-218-867-11	METAL CHIP 6.8K 0.5% 1/10W		
665		A	RESISTOR		R8462	1-216-829-11	METAL CHIP 4.7K 5% 1/10W		
666		A	RESISTOR		R8463	1-216-841-11	METAL CHIP 47K 5% 1/10W		
667		A	RESISTOR		R8465	1-216-845-11	METAL CHIP 100K 5% 1/10W		
668		A	RESISTOR		R8469	1-218-745-11	METAL CHIP 160K 0.5% 1/10W		
669		A	RESISTOR		R8476	1-218-716-11	METAL CHIP 10K 0.5% 1/10W		
670		A	RESISTOR		R8477	1-218-716-11	METAL CHIP 10K 0.5% 1/10W		
671		A	RESISTOR		R8478	1-218-724-11	METAL CHIP 22K 0.5% 1/10W		
672		A	RESISTOR		R8479	1-218-720-11	METAL CHIP 15K 0.5% 1/10W		
673		A	RESISTOR		R8480	1-218-911-11	METAL CHIP 470K 0.5% 1/10W		
674		A	RESISTOR		R8481	1-218-732-11	METAL CHIP 47K 0.5% 1/10W		
675		A	RESISTOR		R8482	1-218-911-11	METAL CHIP 470K 0.5% 1/10W		
676		A	RESISTOR		R8483	1-216-834-11	METAL CHIP 12K 5% 1/10W		
677		A	RESISTOR		R8484	1-216-857-11	METAL CHIP 1M 5% 1/10W		
678		A	RESISTOR		R8488	1-216-864-11	SHORT CHIP 0		
679		A	RESISTOR		R8489	1-216-864-11	SHORT CHIP 0		
680		A	RESISTOR		R8490	1-216-864-11	SHORT CHIP 0		
681		A	RESISTOR		R8491	1-216-864-11	SHORT CHIP 0		
682		A	RESISTOR		R8492	1-216-864-11	SHORT CHIP 0		
683		A	RESISTOR		R8626	1-216-837-11	METAL CHIP 22K 5% 1/10W		
684		A	RESISTOR		R8627	1-216-833-11	METAL CHIP 10K 5% 1/10W		
685		A	RESISTOR		R8632	1-216-864-11	SHORT CHIP 0		
686		A	RESISTOR		R8642	1-216-837-11	METAL CHIP 22K 5% 1/10W		
687		A	RESISTOR		R8643	1-216-837-11	METAL CHIP 22K 5% 1/10W		
688		A	RESISTOR		R8644	1-218-865-11	METAL CHIP 5.6K 0.5% 1/10W		
689		A	RESISTOR		R8645	1-216-833-11	METAL CHIP 10K 5% 1/10W		
690		A	RESISTOR		R8660	1-216-845-11	METAL CHIP 100K 5% 1/10W		
691		A	RESISTOR		R8661	1-216-847-11	METAL CHIP 150K 5% 1/10W		
692		A	RESISTOR		R9017	1-216-864-11	SHORT CHIP 0		
693		A	RESISTOR		R9018	1-216-864-11	SHORT CHIP 0		
694		A	RESISTOR		R9019	1-216-864-11	SHORT CHIP 0		
695		A	RESISTOR		R9020	1-216-864-11	SHORT CHIP 0		
696		A	RESISTOR		R9021	1-216-864-11	SHORT CHIP 0		
697		A	RESISTOR		R9023	1-216-864-11	SHORT CHIP 0		
698		A	RESISTOR		R9024	1-216-864-11	SHORT CHIP 0		
699		A	RESISTOR		R9025	1-216-864-11	SHORT CHIP 0		
700		A	RESISTOR		R9026	1-216-864-11	SHORT CHIP 0		
701		A	RESISTOR		R9027	1-216-864-11	SHORT CHIP 0		
702		A	RESISTOR		R9028	1-216-864-11	SHORT CHIP 0		
703		A	RESISTOR		R9029	1-216-864-11	SHORT CHIP 0		
704		A	RESISTOR		R9034	1-216-813-11	METAL CHIP 220 5% 1/10W		
705		A	RESISTOR		R9035	1-216-813-11	METAL CHIP 220 5% 1/10W		
706		A	RESISTOR		R9036	1-216-864-11	SHORT CHIP 0		
707		A	RESISTOR		R9037	1-216-813-11	METAL CHIP 220 5% 1/10W		
708		A	RESISTOR		R9038	1-216-864-11	SHORT CHIP 0		
709		A	RESISTOR		R9040	1-216-813-11	METAL CHIP 220 5% 1/10W		
710		A	RESISTOR		R9041	1-216-813-11	METAL CHIP 220 5% 1/10W		
711		A	RESISTOR		R9042	1-216-853-11	METAL CHIP 470K 5% 1/10W		
712		A	RESISTOR		R9043	1-216-853-11	METAL CHIP 470K 5% 1/10W		
713		A	RESISTOR		R9044	1-216-813-11	METAL CHIP 220 5% 1/10W		
714		A	RESISTOR		R9045	1-216-853-11	METAL CHIP 470K 5% 1/10W		
715		A	RESISTOR		R9046	1-216-853-11	METAL CHIP 470K 5% 1/10W		
716		A	RESISTOR		R9054	1-216-821-11	METAL CHIP 1K 5% 1/10W		
717		A	RESISTOR		R9055	1-216-834-11	METAL CHIP 12K 5% 1/10W		
718		A	RESISTOR		R9056	1-216-834-11	METAL CHIP 12K 5% 1/10W		
719		A	RESISTOR		R9064	1-216-834-11	METAL CHIP 12K 5% 1/10W		
720		A	RESISTOR		R9065	1-216-834-11	METAL CHIP 12K 5% 1/10W		
721		A	RESISTOR		R9066	1-216-809-11	METAL CHIP 100 5% 1/10W		
722		A	RESISTOR		R9067	1-216-821-11	METAL CHIP 1K 5% 1/10W		
723		A	RESISTOR		R9068	1-216-809-11	METAL CHIP 100 5% 1/10W		
724		A	RESISTOR		R9069	1-216-809-11	METAL CHIP 100 5% 1/10W		
725		A	RESISTOR		R9083	1-216-809-11	METAL CHIP 100 5% 1/10W		
726		A	RESISTOR		R9090	1-216-813-11	METAL CHIP 220 5% 1/10W		
727		A	RESISTOR		R9091	1-216-813-11	METAL CHIP 220 5% 1/10W		
728		A	RESISTOR		R9092	1-216-813-11	METAL CHIP 220 5% 1/10W		
729		A	RESISTOR		R9093	1-216-813-11	METAL CHIP 220 5% 1/10W		
730		A	RESISTOR		R9094	1-216-813-11	METAL CHIP 220 5% 1/10W		

No.	#	Board	Type	Δ / ∇ *	Ref. No.	Part No.	Description	Remarks-1	Remarks-2
731		A	RESISTOR		R9095	1-216-813-11	METAL CHIP 220 5% 1/10W		
732		A	RESISTOR		R9096	1-216-813-11	METAL CHIP 220 5% 1/10W		
733		A	RESISTOR		R9097	1-216-813-11	METAL CHIP 220 5% 1/10W		
734		A	RESISTOR		R9098	1-216-813-11	METAL CHIP 220 5% 1/10W		
735		A	RESISTOR		R9099	1-216-813-11	METAL CHIP 220 5% 1/10W		
736		A	RESISTOR		R9100	1-216-813-11	METAL CHIP 220 5% 1/10W		
737		A	RESISTOR		R9101	1-216-813-11	METAL CHIP 220 5% 1/10W		
738		A	CHIP CHECKER		TP3001	1-535-757-11	"CHIP, CHECKER"		
739		A	CHIP CHECKER		TP3002	1-535-757-11	"CHIP, CHECKER"		
740		A	VARISTOR		VD7003	1-801-925-21	"VARISTOR, CHIP (1608)"		
741		A	VARISTOR		VD7004	1-801-925-21	"VARISTOR, CHIP (1608)"		
742		A	VARISTOR		VD7005	1-801-925-21	"VARISTOR, CHIP (1608)"		
743		A	VARISTOR		VD7006	1-801-925-21	"VARISTOR, CHIP (1608)"		
744		A	VARISTOR		VD9009	1-803-974-21	"VARISTOR, CHIP (1608)"		
745		A	VARISTOR		VD9012	1-803-974-21	"VARISTOR, CHIP (1608)"		
746		A	VARISTOR		VD9017	1-803-974-21	"VARISTOR, CHIP (1608)"		
747		A	VARISTOR		VD9018	1-803-974-21	"VARISTOR, CHIP (1608)"		
748		A	VARISTOR		VD9019	1-803-974-21	"VARISTOR, CHIP (1608)"		
749		A	VARISTOR		VD9025	1-803-974-21	"VARISTOR, CHIP (1608)"		
750		B1	CAPACITOR		C1001	1-126-396-11	ELECT CHIP 47UF 20.00% 16V		
751		B1	CAPACITOR		C1002	1-126-391-11	ELECT CHIP 47UF 20.00% 6.3V		
752		B1	CAPACITOR		C1005	1-125-891-11	CERAMIC CHIP 0.47UF 10.00% 10V		
753		B1	CAPACITOR		C1006	1-125-777-11	CERAMIC CHIP 0.1UF 10.00% 10V		
754		B1	CAPACITOR		C1007	1-164-941-11	CERAMIC CHIP 0.0047UF 10.00% 16V		
755		B1	CAPACITOR		C1008	1-125-777-11	CERAMIC CHIP 0.1UF 10.00% 10V		
756		B1	CAPACITOR		C1009	1-125-777-11	CERAMIC CHIP 0.1UF 10.00% 10V		
757		B1	CAPACITOR		C1010	1-164-854-11	CERAMIC CHIP 15PF 5.00% 50V		
758		B1	CAPACITOR		C1011	1-164-854-11	CERAMIC CHIP 15PF 5.00% 50V		
759		B1	CAPACITOR		C1012	1-164-943-11	CERAMIC CHIP 0.01UF 10.00% 16V		
760		B1	CAPACITOR		C1013	1-125-777-11	CERAMIC CHIP 0.1UF 10.00% 10V		
761		B1	CAPACITOR		C1014	1-125-777-11	CERAMIC CHIP 0.1UF 10.00% 10V		
762		B1	CAPACITOR		C1015	1-125-777-11	CERAMIC CHIP 0.1UF 10.00% 10V		
763		B1	CAPACITOR		C1016	1-125-777-11	CERAMIC CHIP 0.1UF 10.00% 10V		
764		B1	CAPACITOR		C1017	1-125-777-11	CERAMIC CHIP 0.1UF 10.00% 10V		
765		B1	CAPACITOR		C1018	1-125-777-11	CERAMIC CHIP 0.1UF 10.00% 10V		
766		B1	CAPACITOR		C1019	1-125-777-11	CERAMIC CHIP 0.1UF 10.00% 10V		
767		B1	CAPACITOR		C1028	1-125-777-11	CERAMIC CHIP 0.1UF 10.00% 10V		
768		B1	CAPACITOR		C1029	1-125-777-11	CERAMIC CHIP 0.1UF 10.00% 10V		
769		B1	CAPACITOR		C1040	1-125-777-11	CERAMIC CHIP 0.1UF 10.00% 10V		
770		B1	CAPACITOR		C1041	1-125-777-11	CERAMIC CHIP 0.1UF 10.00% 10V		
771		B1	CAPACITOR		C1042	1-125-777-11	CERAMIC CHIP 0.1UF 10.00% 10V		
772		B1	CAPACITOR		C1043	1-125-777-11	CERAMIC CHIP 0.1UF 10.00% 10V		
773		B1	CAPACITOR		C1044	1-125-777-11	CERAMIC CHIP 0.1UF 10.00% 10V		
774		B1	CAPACITOR		C1045	1-164-943-11	CERAMIC CHIP 0.01UF 10.00% 16V		
775		B1	CAPACITOR		C1046	1-126-395-11	ELECT CHIP 22UF 20.00% 16V		
776		B1	CAPACITOR		C1047	1-126-395-11	ELECT CHIP 22UF 20.00% 16V		
777		B1	CAPACITOR		C1048	1-164-943-11	CERAMIC CHIP 0.01UF 10.00% 16V		
778		B1	CAPACITOR		C1049	1-164-943-11	CERAMIC CHIP 0.01UF 10.00% 16V		
779		B1	CAPACITOR		C1050	1-126-394-11	ELECT CHIP 10UF 20.00% 16V		
780		B1	CAPACITOR		C1051	1-125-837-91	CERAMIC CHIP 1UF 10% 6.3V		
781		B1	CAPACITOR		C1054	1-164-315-11	CERAMIC CHIP 470PF 5.00% 50V		
782		B1	CAPACITOR		C1055	1-164-315-11	CERAMIC CHIP 470PF 5.00% 50V		
783		B1	CAPACITOR		C1059	1-126-396-11	ELECT CHIP 47UF 20.00% 16V		
784		B1	CAPACITOR		C3001	1-162-923-11	CERAMIC CHIP 47PF 5.00% 50V		
785		B1	CAPACITOR		C3002	1-127-715-91	CERAMIC CHIP 0.22UF 10% 16V		
786		B1	CAPACITOR		C3003	1-162-923-11	CERAMIC CHIP 47PF 5.00% 50V		
787		B1	CAPACITOR		C3004	1-127-715-91	CERAMIC CHIP 0.22UF 10% 16V		
788		B1	CAPACITOR		C3005	1-162-923-11	CERAMIC CHIP 47PF 5.00% 50V		
789		B1	CAPACITOR		C3006	1-127-715-91	CERAMIC CHIP 0.22UF 10% 16V		
790		B1	CAPACITOR		C3007	1-125-837-91	CERAMIC CHIP 1UF 10% 6.3V		
791		B1	CAPACITOR		C3008	1-127-715-91	CERAMIC CHIP 0.22UF 10% 16V		
792		B1	CAPACITOR		C3009	1-162-923-11	CERAMIC CHIP 47PF 5.00% 50V		
793		B1	CAPACITOR		C3011	1-164-938-11	CERAMIC CHIP 0.0015UF 10.00% 50V		
794		B1	CAPACITOR		C3012	1-162-959-11	CERAMIC CHIP 330PF 5.00% 50V		
795		B1	CAPACITOR		C3013	1-127-715-91	CERAMIC CHIP 0.22UF 10% 16V		
796		B1	CAPACITOR		C3014	1-162-959-11	CERAMIC CHIP 330PF 5.00% 50V		
797		B1	CAPACITOR		C3015	1-127-715-91	CERAMIC CHIP 0.22UF 10% 16V		
798		B1	CAPACITOR		C3016	1-162-959-11	CERAMIC CHIP 330PF 5.00% 50V		
799		B1	CAPACITOR		C3017	1-127-715-91	CERAMIC CHIP 0.22UF 10% 16V		
800		B1	CAPACITOR		C3019	1-119-923-11	CERAMIC CHIP 0.047UF 10.00% 10V		
801		B1	CAPACITOR		C3022	1-119-923-11	CERAMIC CHIP 0.047UF 10.00% 10V		
802		B1	CAPACITOR		C3023	1-137-710-11	CERAMIC CHIP 10UF 20% 6.3V		
803		B1	CAPACITOR		C3029	1-119-923-11	CERAMIC CHIP 0.047UF 10.00% 10V		

No.	#	Board	Type	ΔV^*	Ref. No.	Part No.	Description	Remarks-1	Remarks-2
804		B1	CAPACITOR		C3030	1-164-938-11	CERAMIC CHIP 0.0015UF 10.00% 50V		
805		B1	CAPACITOR		C3033	1-127-715-91	CERAMIC CHIP 0.22UF 10% 16V		
806		B1	CAPACITOR		C3039	1-119-923-11	CERAMIC CHIP 0.047UF 10.00% 10V		
807		B1	CAPACITOR		C3040	1-107-823-11	CERAMIC CHIP 0.47UF 10.00% 16V		
808		B1	CAPACITOR		C3043	1-100-159-91	CERAMIC CHIP 22UF 10% 6.3V		
809		B1	CAPACITOR		C3044	1-164-943-11	CERAMIC CHIP 0.01UF 10.00% 16V		
810		B1	CAPACITOR		C3045	1-119-923-11	CERAMIC CHIP 0.047UF 10.00% 10V		
811		B1	CAPACITOR		C3046	1-137-710-11	CERAMIC CHIP 10UF 20% 6.3V		
812		B1	CAPACITOR		C3047	1-119-923-11	CERAMIC CHIP 0.047UF 10.00% 10V		
813		B1	CAPACITOR		C3049	1-100-159-91	CERAMIC CHIP 22UF 10% 6.3V		
814		B1	CAPACITOR		C3050	1-107-820-11	CERAMIC CHIP 0.1UF 16V		
815		B1	CAPACITOR		C3060	1-119-923-11	CERAMIC CHIP 0.047UF 10.00% 10V		
816		B1	CAPACITOR		C3061	1-107-820-11	CERAMIC CHIP 0.1UF 16V		
817		B1	CAPACITOR		C3062	1-119-923-11	CERAMIC CHIP 0.047UF 10.00% 10V		
818		B1	CAPACITOR		C3063	1-164-939-11	CERAMIC CHIP 0.0022UF 10.00% 50V		
819		B1	CAPACITOR		C3064	1-100-159-91	CERAMIC CHIP 22UF 10% 6.3V		
820		B1	CAPACITOR		C3066	1-128-994-21	ELECT CHIP 47UF 20% 10V		
821		B1	CAPACITOR		C3067	1-126-395-11	ELECT CHIP 22UF 20.00% 16V		
822		B1	CAPACITOR		C3068	1-126-395-11	ELECT CHIP 22UF 20.00% 16V		
823		B1	CAPACITOR		C3069	1-164-943-11	CERAMIC CHIP 0.01UF 10.00% 16V		
824		B1	CAPACITOR		C3070	1-128-994-21	ELECT CHIP 47UF 20% 10V		
825		B1	CAPACITOR		C3301	1-119-667-11	CERAMIC CHIP 22UF 10V		
826		B1	CAPACITOR		C3302	1-127-573-11	CERAMIC CHIP 1UF 10% 16V		
827		B1	CAPACITOR		C3304	1-164-315-11	CERAMIC CHIP 470PF 5.00% 50V		
828		B1	CAPACITOR		C3305	1-137-710-11	CERAMIC CHIP 10UF 20% 6.3V		
829		B1	CAPACITOR		C3306	1-100-159-91	CERAMIC CHIP 22UF 10% 6.3V		
830		B1	CAPACITOR		C3307	1-107-820-11	CERAMIC CHIP 0.1UF 16V		
831		B1	CAPACITOR		C3308	1-100-159-91	CERAMIC CHIP 22UF 10% 6.3V		
832		B1	CAPACITOR		C3309	1-107-820-11	CERAMIC CHIP 0.1UF 16V		
833		B1	CAPACITOR		C3310	1-107-820-11	CERAMIC CHIP 0.1UF 16V		
834		B1	CAPACITOR		C3311	1-107-820-11	CERAMIC CHIP 0.1UF 16V		
835		B1	CAPACITOR		C3312	1-107-820-11	CERAMIC CHIP 0.1UF 16V		
836		B1	CAPACITOR		C3313	1-107-820-11	CERAMIC CHIP 0.1UF 16V		
837		B1	CAPACITOR		C3314	1-107-820-11	CERAMIC CHIP 0.1UF 16V		
838		B1	CAPACITOR		C3315	1-107-820-11	CERAMIC CHIP 0.1UF 16V		
839		B1	CAPACITOR		C3316	1-100-159-91	CERAMIC CHIP 22UF 10% 6.3V		
840		B1	CAPACITOR		C3317	1-107-820-11	CERAMIC CHIP 0.1UF 16V		
841		B1	CAPACITOR		C3318	1-107-820-11	CERAMIC CHIP 0.1UF 16V		
842		B1	CAPACITOR		C3319	1-107-820-11	CERAMIC CHIP 0.1UF 16V		
843		B1	CAPACITOR		C3320	1-107-820-11	CERAMIC CHIP 0.1UF 16V		
844		B1	CAPACITOR		C3321	1-107-820-11	CERAMIC CHIP 0.1UF 16V		
845		B1	CAPACITOR		C3322	1-107-820-11	CERAMIC CHIP 0.1UF 16V		
846		B1	CAPACITOR		C3323	1-107-820-11	CERAMIC CHIP 0.1UF 16V		
847		B1	CAPACITOR		C3324	1-107-820-11	CERAMIC CHIP 0.1UF 16V		
848		B1	CAPACITOR		C3325	1-107-820-11	CERAMIC CHIP 0.1UF 16V		
849		B1	CAPACITOR		C3326	1-107-820-11	CERAMIC CHIP 0.1UF 16V		
850		B1	CAPACITOR		C3327	1-107-820-11	CERAMIC CHIP 0.1UF 16V		
851		B1	CAPACITOR		C3328	1-119-667-11	CERAMIC CHIP 22UF 10V		
852		B1	CAPACITOR		C3329	1-107-820-11	CERAMIC CHIP 0.1UF 16V		
853		B1	CAPACITOR		C3330	1-107-820-11	CERAMIC CHIP 0.1UF 16V		
854		B1	CAPACITOR		C3331	1-107-820-11	CERAMIC CHIP 0.1UF 16V		
855		B1	CAPACITOR		C3332	1-107-820-11	CERAMIC CHIP 0.1UF 16V		
856		B1	CAPACITOR		C3333	1-107-820-11	CERAMIC CHIP 0.1UF 16V		
857		B1	CAPACITOR		C3334	1-107-820-11	CERAMIC CHIP 0.1UF 16V		
858		B1	CAPACITOR		C3335	1-107-820-11	CERAMIC CHIP 0.1UF 16V		
859		B1	CAPACITOR		C3336	1-107-820-11	CERAMIC CHIP 0.1UF 16V		
860		B1	CAPACITOR		C3337	1-107-820-11	CERAMIC CHIP 0.1UF 16V		
861		B1	CAPACITOR		C3338	1-107-820-11	CERAMIC CHIP 0.1UF 16V		
862		B1	CAPACITOR		C3339	1-107-820-11	CERAMIC CHIP 0.1UF 16V		
863		B1	CAPACITOR		C3340	1-107-820-11	CERAMIC CHIP 0.1UF 16V		
864		B1	CAPACITOR		C3341	1-107-820-11	CERAMIC CHIP 0.1UF 16V		
865		B1	CAPACITOR		C3342	1-107-820-11	CERAMIC CHIP 0.1UF 16V		
866		B1	CAPACITOR		C3343	1-107-820-11	CERAMIC CHIP 0.1UF 16V		
867		B1	CAPACITOR		C3344	1-164-943-11	CERAMIC CHIP 0.01UF 10.00% 16V		
868		B1	CAPACITOR		C3345	1-107-820-11	CERAMIC CHIP 0.1UF 16V		
869		B1	CAPACITOR		C3346	1-126-391-11	ELECT CHIP 47UF 20.00% 6.3V		
870		B1	CAPACITOR		C3347	1-100-159-91	CERAMIC CHIP 22UF 10% 6.3V		
871		B1	CAPACITOR		C3348	1-107-820-11	CERAMIC CHIP 0.1UF 16V		
872		B1	CAPACITOR		C3350	1-100-159-91	CERAMIC CHIP 22UF 10% 6.3V		
873		B1	CAPACITOR		C3351	1-107-820-11	CERAMIC CHIP 0.1UF 16V		
874		B1	CAPACITOR		C3355	1-137-710-11	CERAMIC CHIP 10UF 20% 6.3V		
875		B1	CAPACITOR		C3356	1-137-710-11	CERAMIC CHIP 10UF 20% 6.3V		
876		B1	CAPACITOR		C3401	1-164-937-11	CERAMIC CHIP 0.001UF 10.00% 50V		

No.	#	Board	Type	Δ/V^*	Ref. No.	Part No.	Description	Remarks-1	Remarks-2
877		B1	CAPACITOR		C3402	1-127-573-11	CERAMIC CHIP 1UF 10% 16V		
878		B1	CAPACITOR		C3404	1-164-858-11	CERAMIC CHIP 22PF 5.00% 50V		
879		B1	CAPACITOR		C3405	1-164-858-11	CERAMIC CHIP 22PF 5.00% 50V		
880		B1	CAPACITOR		C3501	1-115-459-11	ELECT CHIP 47UF 20.00% 6.3V		
881		B1	CAPACITOR		C3502	1-126-394-11	ELECT CHIP 10UF 20.00% 16V		
882		B1	CAPACITOR		C3503	1-164-943-11	CERAMIC CHIP 0.01UF 10.00% 16V		
883		B1	CAPACITOR		C3504	1-126-394-11	ELECT CHIP 10UF 20.00% 16V		
884		B1	CAPACITOR		C3505	1-164-943-11	CERAMIC CHIP 0.01UF 10.00% 16V		
885		B1	CAPACITOR		C3506	1-126-391-11	ELECT CHIP 47UF 20.00% 6.3V		
886		B1	CAPACITOR		C3507	1-125-777-11	CERAMIC CHIP 0.1UF 10.00% 10V		
887		B1	CAPACITOR		C3508	1-115-416-11	CERAMIC CHIP 0.001UF 5.00% 25V		
888		B1	CAPACITOR		C3601	1-125-777-11	CERAMIC CHIP 0.1UF 10.00% 10V		
889		B1	CAPACITOR		C3602	1-125-777-11	CERAMIC CHIP 0.1UF 10.00% 10V		
890		B1	CAPACITOR		C3603	1-125-777-11	CERAMIC CHIP 0.1UF 10.00% 10V		
891		B1	CAPACITOR		C3604	1-128-995-21	ELECT CHIP 100UF 20% 10V		
892		B1	CAPACITOR		C3605	1-125-777-11	CERAMIC CHIP 0.1UF 10.00% 10V		
893		B1	CAPACITOR		C3606	1-125-777-11	CERAMIC CHIP 0.1UF 10.00% 10V		
894		B1	CAPACITOR		C3607	1-125-777-11	CERAMIC CHIP 0.1UF 10.00% 10V		
895		B1	CAPACITOR		C3608	1-125-891-11	CERAMIC CHIP 0.47UF 10.00% 10V		
896		B1	CAPACITOR		C3609	1-125-777-11	CERAMIC CHIP 0.1UF 10.00% 10V		
897		B1	CAPACITOR		C3610	1-125-777-11	CERAMIC CHIP 0.1UF 10.00% 10V		
898		B1	CAPACITOR		C3611	1-125-777-11	CERAMIC CHIP 0.1UF 10.00% 10V		
899		B1	CAPACITOR		C3612	1-125-777-11	CERAMIC CHIP 0.1UF 10.00% 10V		
900		B1	CAPACITOR		C3613	1-164-230-11	CERAMIC CHIP 220PF 5.00% 50V		
901		B1	CAPACITOR		C3614	1-128-995-21	ELECT CHIP 100UF 20% 10V		
902		B1	CAPACITOR		C3618	1-125-777-11	CERAMIC CHIP 0.1UF 10.00% 10V		
903		B1	CAPACITOR		C3619	1-125-777-11	CERAMIC CHIP 0.1UF 10.00% 10V		
904		B1	CAPACITOR		C3621	1-125-777-11	CERAMIC CHIP 0.1UF 10.00% 10V		
905		B1	CAPACITOR		C3622	1-125-777-11	CERAMIC CHIP 0.1UF 10.00% 10V		
906		B1	CAPACITOR		C3623	1-125-777-11	CERAMIC CHIP 0.1UF 10.00% 10V		
907		B1	CAPACITOR		C3624	1-107-826-11	CERAMIC CHIP 0.1UF 10.00% 16V		
908		B1	CAPACITOR		C3625	1-107-826-11	CERAMIC CHIP 0.1UF 10.00% 16V		
909		B1	CAPACITOR		C3626	1-165-908-11	CERAMIC CHIP 1UF 10% 10V		
910		B1	CAPACITOR		C3627	1-125-777-11	CERAMIC CHIP 0.1UF 10.00% 10V		
911		B1	CAPACITOR		C3628	1-107-826-11	CERAMIC CHIP 0.1UF 10.00% 16V		
912		B1	CAPACITOR		C3641	1-125-777-11	CERAMIC CHIP 0.1UF 10.00% 10V		
913		B1	CAPACITOR		C3643	1-126-396-11	ELECT CHIP 47UF 20.00% 16V		
914		B1	CAPACITOR		C5001	1-164-943-11	CERAMIC CHIP 0.01UF 10.00% 16V		
915		B1	CAPACITOR		C5006	1-164-943-11	CERAMIC CHIP 0.01UF 10.00% 16V		
916		B1	CAPACITOR		C5007	1-125-777-11	CERAMIC CHIP 0.1UF 10.00% 10V		
917		B1	CAPACITOR		C5008	1-125-777-11	CERAMIC CHIP 0.1UF 10.00% 10V		
918		B1	CAPACITOR		C5009	1-125-777-11	CERAMIC CHIP 0.1UF 10.00% 10V		
919		B1	CAPACITOR		C5010	1-125-777-11	CERAMIC CHIP 0.1UF 10.00% 10V		
920		B1	CAPACITOR		C5011	1-125-777-11	CERAMIC CHIP 0.1UF 10.00% 10V		
921		B1	CAPACITOR		C5014	1-164-854-11	CERAMIC CHIP 15PF 5.00% 50V		
922		B1	CAPACITOR		C5015	1-164-854-11	CERAMIC CHIP 15PF 5.00% 50V		
923		B1	CAPACITOR		C5018	1-125-777-11	CERAMIC CHIP 0.1UF 10.00% 10V		
924		B1	CAPACITOR		C5019	1-164-943-11	CERAMIC CHIP 0.01UF 10.00% 16V		
925		B1	CAPACITOR		C5020	1-164-943-11	CERAMIC CHIP 0.01UF 10.00% 16V		
926		B1	CAPACITOR		C5021	1-100-159-91	CERAMIC CHIP 22UF 10% 6.3V		
927		B1	CAPACITOR		C5023	1-126-392-11	ELECT CHIP 100UF 20.00% 6.3V		
928		B1	CAPACITOR		C5024	1-125-777-11	CERAMIC CHIP 0.1UF 10.00% 10V		
929		B1	CAPACITOR		C5025	1-125-777-11	CERAMIC CHIP 0.1UF 10.00% 10V		
930		B1	CAPACITOR		C5026	1-125-777-11	CERAMIC CHIP 0.1UF 10.00% 10V		
931		B1	CAPACITOR		C5027	1-125-777-11	CERAMIC CHIP 0.1UF 10.00% 10V		
932		B1	CAPACITOR		C5028	1-125-777-11	CERAMIC CHIP 0.1UF 10.00% 10V		
933		B1	CAPACITOR		C5029	1-125-777-11	CERAMIC CHIP 0.1UF 10.00% 10V		
934		B1	CAPACITOR		C5030	1-100-159-91	CERAMIC CHIP 22UF 10% 6.3V		
935		B1	CAPACITOR		C5031	1-126-392-11	ELECT CHIP 100UF 20.00% 6.3V		
936		B1	CAPACITOR		C5032	1-125-777-11	CERAMIC CHIP 0.1UF 10.00% 10V		
937		B1	CAPACITOR		C5033	1-125-777-11	CERAMIC CHIP 0.1UF 10.00% 10V		
938		B1	CAPACITOR		C5034	1-125-837-91	CERAMIC CHIP 1UF 10% 6.3V		
939		B1	CAPACITOR		C5036	1-137-710-11	CERAMIC CHIP 10UF 20% 6.3V		
940		B1	CAPACITOR		C5037	1-137-710-11	CERAMIC CHIP 10UF 20% 6.3V		
941		B1	CAPACITOR		C5039	1-125-777-11	CERAMIC CHIP 0.1UF 10.00% 10V		
942		B1	CAPACITOR		C5041	1-100-159-91	CERAMIC CHIP 22UF 10% 6.3V		
943		B1	CAPACITOR		C5042	1-100-159-91	CERAMIC CHIP 22UF 10% 6.3V		
944		B1	CAPACITOR		C5043	1-125-777-11	CERAMIC CHIP 0.1UF 10.00% 10V		
945		B1	CAPACITOR		C5048	1-125-777-11	CERAMIC CHIP 0.1UF 10.00% 10V		
946		B1	CAPACITOR		C5049	1-107-826-11	CERAMIC CHIP 0.1UF 10.00% 16V		
947		B1	CAPACITOR		C5050	1-125-777-11	CERAMIC CHIP 0.1UF 10.00% 10V		
948		B1	CAPACITOR		C5051	1-125-777-11	CERAMIC CHIP 0.1UF 10.00% 10V		
949		B1	CAPACITOR		C5052	1-125-777-11	CERAMIC CHIP 0.1UF 10.00% 10V		

No.	#	Board	Type	△/*	Ref. No.	Part No.	Description	Remarks-1	Remarks-2
950		B1	CAPACITOR		C5053	1-125-777-11	CERAMIC CHIP 0.1UF 10.00% 10V		
951		B1	CAPACITOR		C5054	1-125-837-91	CERAMIC CHIP 1UF 10% 6.3V		
952		B1	CAPACITOR		C5055	1-164-937-11	CERAMIC CHIP 0.001UF 10.00% 50V		
953		B1	CAPACITOR		C5056	1-164-937-11	CERAMIC CHIP 0.001UF 10.00% 50V		
954		B1	CAPACITOR		C5057	1-164-874-11	CERAMIC CHIP 100PF 5.00% 50V		
955		B1	CAPACITOR		C5058	1-125-777-11	CERAMIC CHIP 0.1UF 10.00% 10V		
956		B1	CAPACITOR		C5449	1-162-923-11	CERAMIC CHIP 47PF 5.00% 50V		
957		B1	CAPACITOR		C5451	1-107-826-11	CERAMIC CHIP 0.1UF 10.00% 16V		
958		B1	CAPACITOR		C5524	1-125-837-91	CERAMIC CHIP 1UF 10% 6.3V		
959		B1	CAPACITOR		C5525	1-125-837-91	CERAMIC CHIP 1UF 10% 6.3V		
960		B1	CAPACITOR		C5526	1-125-891-11	CERAMIC CHIP 0.47UF 10.00% 10V		
961		B1	CAPACITOR		C5528	1-125-891-11	CERAMIC CHIP 0.47UF 10.00% 10V		
962		B1	CAPACITOR		C5529	1-125-777-11	CERAMIC CHIP 0.1UF 10.00% 10V		
963		B1	CAPACITOR		C5530	1-164-874-11	CERAMIC CHIP 100PF 5.00% 50V		
964		B1	CAPACITOR		C5533	1-137-710-11	CERAMIC CHIP 10UF 20% 6.3V		
965		B1	CAPACITOR		C5535	1-125-777-11	CERAMIC CHIP 0.1UF 10.00% 10V		
966		B1	CAPACITOR		C5552	1-125-777-11	CERAMIC CHIP 0.1UF 10.00% 10V		
967		B1	CAPACITOR		C5588	1-162-927-11	CERAMIC CHIP 100PF 5.00% 50V		
968		B1	CAPACITOR		C5593	1-125-777-11	CERAMIC CHIP 0.1UF 10.00% 10V		
969		B1	CONNECTOR		CN1002	1-779-936-21	"CONNECTOR, FFC/FPC 18P"		
970		B1	CONNECTOR		CN1003	1-774-769-11	"CONNECTOR, FFC/FPC 25P"		
971		B1	CONNECTOR	*	CN1004	1-779-268-21	"PIN, CONNECTOR (1.5MM)(SMD)11P"		
972		B1	CONNECTOR		CN1006	1-573-290-21	"PIN, CONNECTOR (1.5MM) (SMD)4P"		
973		B1	CONNECTOR		CN1007	1-774-769-11	"CONNECTOR, FFC/FPC 25P"		
974		B1	CONNECTOR		CN3001	1-774-769-11	"CONNECTOR, FFC/FPC 25P"		
975		B1	CONNECTOR	*	CN5001	1-816-544-21	"PIN, CONNECTOR (PC BOARD) 20P"		
976		B1	CONNECTOR	*	CN5002	1-785-306-21	"CONNECTOR, BOARD TO BOARD70P"		
977		B1	DIODE		D1002	8-719-024-77	DIODE HN1D03FU-TE85L		
978		B1	DIODE		D1003	8-719-404-50	DIODE MA111-TX		
979		B1	DIODE		D1005	8-719-073-01	DIODE MA111-(K8),S0		
980		B1	DIODE		D1008	8-719-069-55	DIODE UDZSTE-175.6B		
981		B1	DIODE		D1009	8-719-069-55	DIODE UDZSTE-175.6B		
982		B1	DIODE		D1010	8-719-069-55	DIODE UDZSTE-175.6B		
983		B1	DIODE		D1012	8-719-069-55	DIODE UDZSTE-175.6B		
984		B1	DIODE		D1013	8-719-069-55	DIODE UDZSTE-175.6B		
985		B1	DIODE		D5001	8-719-066-11	DIODE 1PS184-115		
986		B1	DIODE		D5002	8-719-066-11	DIODE 1PS184-115		
987		B1	DIODE		D5003	8-719-404-50	DIODE MA111-TX		
988		B1	DIODE		D5004	8-719-404-50	DIODE MA111-TX		
989		B1	DIODE		D5005	8-719-404-50	DIODE MA111-TX		
990		B1	DIODE		D5006	8-719-404-50	DIODE MA111-TX		
991		B1	FERRITE BEAD		FB1001	1-414-226-21	FERRITE 0UH		
992		B1	FERRITE BEAD		FB1002	1-414-226-21	FERRITE 0UH		
993		B1	FERRITE BEAD		FB3301	1-469-324-21	FERRITE 0UH		
994		B1	FERRITE BEAD		FB3302	1-469-324-21	FERRITE 0UH		
995		B1	FERRITE BEAD		FB3303	1-469-324-21	FERRITE 0UH		
996		B1	FERRITE BEAD		FB5001	1-469-324-21	FERRITE 0UH		
997		B1	FERRITE BEAD		FB5002	1-469-324-21	FERRITE 0UH		
998		B1	FERRITE BEAD		FB5003	1-469-324-21	FERRITE 0UH		
999		B1	FERRITE BEAD		FB5004	1-469-324-21	FERRITE 0UH		
1000		B1	FERRITE BEAD		FB5005	1-414-226-21	FERRITE 0UH		
1001		B1	FERRITE BEAD		FB5006	1-414-226-21	FERRITE 0UH		
1002		B1	FERRITE BEAD		FB5508	1-414-226-21	FERRITE 0UH		
1003		B1	FILTER		FL3001	1-234-177-21	FERRITE 0UH		
1004		B1	FILTER		FL3301	1-234-177-21	FERRITE 0UH		
1005		B1	FILTER		FL3302	1-234-177-21	FERRITE 0UH		
1006		B1	FILTER		FL3303	1-234-177-21	FERRITE 0UH		
1007		B1	FILTER		FL3304	1-234-177-21	FERRITE 0UH		
1008		B1	FILTER		FL3401	1-234-558-21	"FILTER, LOW PASS"		
1009		B1	FILTER		FL3402	1-234-558-21	"FILTER, LOW PASS"		
1010		B1	IC		IC1001	8-759-460-72	IC BA033FP-E2		
1011		B1	IC		IC1006	6-803-205-01	IC HD64F2377-SV11639		
1012		B1	IC		IC1007	6-703-225-01	IC S-80928CNMC-G8YT2G		
1013		B1	IC		IC1008	6-702-688-01	IC M24C64-WMN6T(B)		
1014		B1	IC		IC1009	8-759-592-49	IC TC7SZ125FU(TE85R)		
1015		B1	IC		IC1010	8-759-592-47	IC TC7SZ08FU(TE85R)		
1016		B1	IC		IC3001	6-702-488-01	IC VPC3230D		
1017		B1	IC		IC3002	8-759-460-72	IC BA033FP-E2		
1018		B1	IC		IC3301	6-700-227-01	IC MM1561JFBE		
1019		B1	IC		IC3302	8-752-409-78	ICCCXD2095AQ		
1020		B1	IC		IC3303	8-759-676-70	IC MSM56V16160F-10TS-K		
1021		B1	IC		IC3304	8-759-669-78	IC TLC2933IPWR-12		
1022		B1	IC		IC3501	8-752-395-13	ICCCXD2085M-T4		

No.	#	Board	Type	Δ/V^*	Ref. No.	Part No.	Description	Remarks-1	Remarks-2
1023		B1	IC		IC3601	8-752-927-89	ICXP964032-002Q		
1024		B1	IC		IC3603	8-752-082-49	ICXA2119M		
1025		B1	IC		IC3604	8-759-592-49	IC TC7SZ125FU(TE85R)		
1026		B1	IC		IC3606	8-759-592-47	IC TC7SZ08FU(TE85R)		
1027		B1	IC		IC5002	6-803-174-01	IC MBM29LV800TA-70PFTN-SV11639		
1028		B1	IC		IC5003	6-702-419-01	IC PW112-10Q		
1029		B1	IC		IC5004	6-701-098-11	IC THC63LVDM83R-T		
1030		B1	IC		IC5006	6-703-224-01	IC S-80828CNNB-B8NT2G		
1031		B1	IC		IC5007	8-759-712-65	IC PQ070XZ01ZP		
1032		B1	IC		IC5008	8-759-712-65	IC PQ070XZ01ZP		
1033		B1	IC		IC5009	6-703-226-01	IC S-80815CNNB-B8AT2G		
1034		B1	IC		IC5013	8-759-549-03	IC SN74LV132APWR		
1035		B1	IC		IC5503	8-759-584-88	IC BA7078AF-E2		
1036		B1	IC		IC5508	6-701-159-01	IC MC74LVX244DTR2		
1037		B1	IC		IC5514	8-759-524-10	IC TC74VHC157FT(EL)		
1038		B1	COIL		L1001	1-412-030-11	INDUCTOR 22UH		
1039		B1	COIL		L3001	1-216-864-11	SHORT CHIP 0		
1040		B1	COIL		L3002	1-216-864-11	SHORT CHIP 0		
1041		B1	COIL		L3003	1-216-864-11	SHORT CHIP 0		
1042		B1	COIL		L3004	1-218-990-11	SHORT CHIP 0		
1043		B1	COIL		L3005	1-412-983-31	INDUCTOR 2.2UH		
1044		B1	COIL		L3006	1-412-983-31	INDUCTOR 2.2UH		
1045		B1	COIL		L3007	1-412-983-31	INDUCTOR 2.2UH		
1046		B1	COIL		L3011	1-469-525-91	INDUCTOR 10UH		
1047		B1	COIL		L3015	1-469-525-91	INDUCTOR 10UH		
1048		B1	COIL		L3301	1-469-525-91	INDUCTOR 10UH		
1049		B1	COIL		L3302	1-469-528-91	INDUCTOR 100UH		
1050		B1	COIL		L3303	1-469-528-91	INDUCTOR 100UH		
1051		B1	COIL		L3304	1-469-525-91	INDUCTOR 10UH		
1052		B1	COIL		L3501	1-469-525-91	INDUCTOR 10UH		
1053		B1	COIL		L3502	1-469-525-91	INDUCTOR 10UH		
1054		B1	COIL		L3601	1-469-555-21	INDUCTOR 10UH		
1055		B1	COIL		L3602	1-469-555-21	INDUCTOR 10UH		
1056		B1	COIL		L3603	1-469-525-91	INDUCTOR 10UH		
1057		B1	COIL		L5003	1-412-028-11	INDUCTOR 4.7UH		
1058		B1	COIL		L5501	1-469-526-91	INDUCTOR 22UH		
1059		B1	COIL		L5504	1-419-774-21	INDUCTOR 0UH		
1060		B1	COIL		L5505	1-419-774-21	INDUCTOR 0UH		
1061		B1	COIL		L5506	1-419-774-21	INDUCTOR 0UH		
1062		B1	COIL		L5507	1-419-774-21	INDUCTOR 0UH		
1063		B1	COIL		L5508	1-419-774-21	INDUCTOR 0UH		
1064		B1	TRANSISTOR		Q1006	8-729-013-28	TRANSISTOR HN1B01FU-TE85R		
1065		B1	TRANSISTOR		Q1009	8-729-025-28	TRANSISTOR 2SK1828		
1066		B1	TRANSISTOR		Q1010	8-729-025-28	TRANSISTOR 2SK1828		
1067		B1	TRANSISTOR		Q1013	8-729-025-28	TRANSISTOR 2SK1828		
1068		B1	TRANSISTOR		Q1014	8-729-025-28	TRANSISTOR 2SK1828		
1069		B1	TRANSISTOR		Q1015	8-729-907-00	TRANSISTOR DTC114EU		
1070		B1	TRANSISTOR		Q1016	8-729-907-00	TRANSISTOR DTC114EU		
1071		B1	TRANSISTOR		Q1017	8-729-025-28	TRANSISTOR 2SK1828		
1072		B1	TRANSISTOR		Q1018	8-729-025-28	TRANSISTOR 2SK1828		
1073		B1	TRANSISTOR		Q3002	8-729-422-27	TRANSISTOR 2SD601A-Q		
1074		B1	TRANSISTOR		Q3301	8-729-907-00	TRANSISTOR DTC114EU		
1075		B1	TRANSISTOR		Q3304	8-729-026-53	TRANSISTOR 2SA1576A-T106-QR		
1076		B1	TRANSISTOR		Q3305	8-729-905-35	TRANSISTOR 2SC4081-R		
1077		B1	TRANSISTOR		Q3306	8-729-905-35	TRANSISTOR 2SC4081-R		
1078		B1	TRANSISTOR		Q3307	8-729-905-35	TRANSISTOR 2SC4081-R		
1079		B1	TRANSISTOR		Q3308	8-729-905-35	TRANSISTOR 2SC4081-R		
1080		B1	TRANSISTOR		Q3309	8-729-905-35	TRANSISTOR 2SC4081-R		
1081		B1	TRANSISTOR		Q3401	8-729-026-53	TRANSISTOR 2SA1576A-T106-QR		
1082		B1	TRANSISTOR		Q3402	8-729-026-53	TRANSISTOR 2SA1576A-T106-QR		
1083		B1	TRANSISTOR		Q3403	8-729-026-53	TRANSISTOR 2SA1576A-T106-QR		
1084		B1	TRANSISTOR		Q3404	8-729-026-53	TRANSISTOR 2SA1576A-T106-QR		
1085		B1	TRANSISTOR		Q3405	8-729-905-35	TRANSISTOR 2SC4081-R		
1086		B1	TRANSISTOR		Q3406	8-729-905-35	TRANSISTOR 2SC4081-R		
1087		B1	TRANSISTOR		Q3407	8-729-905-35	TRANSISTOR 2SC4081-R		
1088		B1	TRANSISTOR		Q3408	8-729-905-35	TRANSISTOR 2SC4081-R		
1089		B1	TRANSISTOR		Q3501	8-729-905-35	TRANSISTOR 2SC4081-R		
1090		B1	TRANSISTOR		Q3602	8-729-026-53	TRANSISTOR 2SA1576A-T106-QR		
1091		B1	TRANSISTOR		Q3605	8-729-905-35	TRANSISTOR 2SC4081-R		
1092		B1	TRANSISTOR		Q3606	8-729-905-35	TRANSISTOR 2SC4081-R		
1093		B1	TRANSISTOR		Q3607	8-729-905-35	TRANSISTOR 2SC4081-R		
1094		B1	TRANSISTOR		Q3611	8-729-905-35	TRANSISTOR 2SC4081-R		
1095		B1	RESISTOR		R1001	1-218-990-11	SHORT CHIP 0		

No.	#	Board	Type	Δ/V^*	Ref. No.	Part No.	Description	Remarks-1	Remarks-2
1096		B1	RESISTOR		R1002	1-218-990-11	SHORT CHIP 0		
1097		B1	RESISTOR		R1003	1-218-990-11	SHORT CHIP 0		
1098		B1	RESISTOR		R1004	1-218-990-11	SHORT CHIP 0		
1099		B1	RESISTOR		R1005	1-218-990-11	SHORT CHIP 0		
1100		B1	RESISTOR		R1006	1-218-990-11	SHORT CHIP 0		
1101		B1	RESISTOR		R1007	1-218-990-11	SHORT CHIP 0		
1102		B1	RESISTOR		R1008	1-218-990-11	SHORT CHIP 0		
1103		B1	RESISTOR		R1009	1-218-990-11	SHORT CHIP 0		
1104		B1	RESISTOR		R1010	1-218-965-11	RES-CHIP 10K 5% 1/16W		
1105		B1	RESISTOR		R1011	1-218-965-11	RES-CHIP 10K 5% 1/16W		
1106		B1	RESISTOR		R1012	1-218-973-11	RES-CHIP 47K 5% 1/16W		
1107		B1	RESISTOR		R1013	1-218-965-11	RES-CHIP 10K 5% 1/16W		
1108		B1	RESISTOR		R1014	1-218-967-11	RES-CHIP 15K 5% 1/16W		
1109		B1	RESISTOR		R1015	1-218-965-11	RES-CHIP 10K 5% 1/16W		
1110		B1	RESISTOR		R1016	1-218-961-11	RES-CHIP 4.7K 5% 1/16W		
1111		B1	RESISTOR		R1034	1-218-961-11	RES-CHIP 4.7K 5% 1/16W		
1112		B1	RESISTOR		R1035	1-218-990-11	SHORT CHIP 0		
1113		B1	RESISTOR		R1036	1-218-990-11	SHORT CHIP 0		
1114		B1	RESISTOR		R1037	1-218-990-11	SHORT CHIP 0		
1115		B1	RESISTOR		R1038	1-218-990-11	SHORT CHIP 0		
1116		B1	RESISTOR		R1039	1-218-990-11	SHORT CHIP 0		
1117		B1	RESISTOR		R1040	1-218-990-11	SHORT CHIP 0		
1118		B1	RESISTOR		R1042	1-218-990-11	SHORT CHIP 0		
1119		B1	RESISTOR		R1044	1-218-990-11	SHORT CHIP 0		
1120		B1	RESISTOR		R1048	1-218-961-11	RES-CHIP 4.7K 5% 1/16W		
1121		B1	RESISTOR		R1049	1-218-961-11	RES-CHIP 4.7K 5% 1/16W		
1122		B1	RESISTOR		R1051	1-218-990-11	SHORT CHIP 0		
1123		B1	RESISTOR		R1053	1-218-990-11	SHORT CHIP 0		
1124		B1	RESISTOR		R1055	1-218-961-11	RES-CHIP 4.7K 5% 1/16W		
1125		B1	RESISTOR		R1058	1-220-183-81	RES-CHIP 1.1K 5% 1/16W		
1126		B1	RESISTOR		R1059	1-218-957-11	RES-CHIP 2.2K 5% 1/16W		
1127		B1	RESISTOR		R1060	1-218-941-81	RES-CHIP 100 5% 1/16W		
1128		B1	RESISTOR		R1061	1-218-941-81	RES-CHIP 100 5% 1/16W		
1129		B1	RESISTOR		R1062	1-218-941-81	RES-CHIP 100 5% 1/16W		
1130		B1	RESISTOR		R1066	1-218-941-81	RES-CHIP 100 5% 1/16W		
1131		B1	RESISTOR		R1067	1-218-941-81	RES-CHIP 100 5% 1/16W		
1132		B1	RESISTOR		R1068	1-218-965-11	RES-CHIP 10K 5% 1/16W		
1133		B1	RESISTOR		R1070	1-218-965-11	RES-CHIP 10K 5% 1/16W		
1134		B1	RESISTOR		R1071	1-218-965-11	RES-CHIP 10K 5% 1/16W		
1135		B1	RESISTOR		R1072	1-208-635-11	RES-CHIP 10 0.5% 1/16W		
1136		B1	RESISTOR		R1073	1-218-965-11	RES-CHIP 10K 5% 1/16W		
1137		B1	RESISTOR		R1074	1-218-945-11	RES-CHIP 220 5% 1/16W		
1138		B1	RESISTOR		R1075	1-218-945-11	RES-CHIP 220 5% 1/16W		
1139		B1	RESISTOR		R1076	1-218-945-11	RES-CHIP 220 5% 1/16W		
1140		B1	RESISTOR		R1077	1-218-973-11	RES-CHIP 47K 5% 1/16W		
1141		B1	RESISTOR		R1078	1-218-941-81	RES-CHIP 100 5% 1/16W		
1142		B1	RESISTOR		R1079	1-218-941-81	RES-CHIP 100 5% 1/16W		
1143		B1	RESISTOR		R1080	1-218-941-81	RES-CHIP 100 5% 1/16W		
1144		B1	RESISTOR		R1081	1-218-973-11	RES-CHIP 47K 5% 1/16W		
1145		B1	RESISTOR		R1082	1-218-965-11	RES-CHIP 10K 5% 1/16W		
1146		B1	RESISTOR		R1084	1-218-965-11	RES-CHIP 10K 5% 1/16W		
1147		B1	RESISTOR		R1085	1-218-965-11	RES-CHIP 10K 5% 1/16W		
1148		B1	RESISTOR		R1087	1-218-941-81	RES-CHIP 100 5% 1/16W		
1149		B1	RESISTOR		R1088	1-218-959-11	RES-CHIP 3.3K 5% 1/16W		
1150		B1	RESISTOR		R1089	1-218-941-81	RES-CHIP 100 5% 1/16W		
1151		B1	RESISTOR		R1090	1-218-941-81	RES-CHIP 100 5% 1/16W		
1152		B1	RESISTOR		R1091	1-218-941-81	RES-CHIP 100 5% 1/16W		
1153		B1	RESISTOR		R1092	1-218-941-81	RES-CHIP 100 5% 1/16W		
1154		B1	RESISTOR		R1093	1-218-945-11	RES-CHIP 220 5% 1/16W		
1155		B1	RESISTOR		R1094	1-218-965-11	RES-CHIP 10K 5% 1/16W		
1156		B1	RESISTOR		R1096	1-218-965-11	RES-CHIP 10K 5% 1/16W		
1157		B1	RESISTOR		R1097	1-218-990-11	SHORT CHIP 0		
1158		B1	RESISTOR		R1098	1-218-990-11	SHORT CHIP 0		
1159		B1	RESISTOR		R1099	1-218-965-11	RES-CHIP 10K 5% 1/16W		
1160		B1	RESISTOR		R1100	1-218-990-11	SHORT CHIP 0		
1161		B1	RESISTOR		R1101	1-218-990-11	SHORT CHIP 0		
1162		B1	RESISTOR		R1102	1-218-990-11	SHORT CHIP 0		
1163		B1	RESISTOR		R1103	1-218-990-11	SHORT CHIP 0		
1164		B1	RESISTOR		R1104	1-218-945-11	RES-CHIP 220 5% 1/16W		
1165		B1	RESISTOR		R1105	1-218-990-11	SHORT CHIP 0		
1166		B1	RESISTOR		R1106	1-218-990-11	SHORT CHIP 0		
1167		B1	RESISTOR		R1107	1-218-950-11	RES-CHIP 560 5% 1/16W		
1168		B1	RESISTOR		R1109	1-218-990-11	SHORT CHIP 0		

No.	#	Board	Type	Δ/V^*	Ref. No.	Part No.	Description	Remarks-1	Remarks-2
1169		B1	RESISTOR		R1110	1-218-990-11	SHORT CHIP 0		
1170		B1	RESISTOR		R1111	1-218-990-11	SHORT CHIP 0		
1171		B1	RESISTOR		R1112	1-218-990-11	SHORT CHIP 0		
1172		B1	RESISTOR		R1113	1-218-990-11	SHORT CHIP 0		
1173		B1	RESISTOR		R1114	1-218-990-11	SHORT CHIP 0		
1174		B1	RESISTOR		R1115	1-218-990-11	SHORT CHIP 0		
1175		B1	RESISTOR		R1116	1-218-990-11	SHORT CHIP 0		
1176		B1	RESISTOR		R1117	1-218-990-11	SHORT CHIP 0		
1177		B1	RESISTOR		R1118	1-218-990-11	SHORT CHIP 0		
1178		B1	RESISTOR		R1119	1-218-990-11	SHORT CHIP 0		
1179		B1	RESISTOR		R1120	1-218-990-11	SHORT CHIP 0		
1180		B1	RESISTOR		R1121	1-218-990-11	SHORT CHIP 0		
1181		B1	RESISTOR		R1124	1-218-990-11	SHORT CHIP 0		
1182		B1	RESISTOR		R1125	1-218-990-11	SHORT CHIP 0		
1183		B1	RESISTOR		R1126	1-218-990-11	SHORT CHIP 0		
1184		B1	RESISTOR		R1127	1-218-990-11	SHORT CHIP 0		
1185		B1	RESISTOR		R1128	1-218-990-11	SHORT CHIP 0		
1186		B1	RESISTOR		R1129	1-218-990-11	SHORT CHIP 0		
1187		B1	RESISTOR		R1130	1-218-990-11	SHORT CHIP 0		
1188		B1	RESISTOR		R1131	1-218-990-11	SHORT CHIP 0		
1189		B1	RESISTOR		R1132	1-218-990-11	SHORT CHIP 0		
1190		B1	RESISTOR		R1133	1-218-990-11	SHORT CHIP 0		
1191		B1	RESISTOR		R1134	1-218-990-11	SHORT CHIP 0		
1192		B1	RESISTOR		R1135	1-218-990-11	SHORT CHIP 0		
1193		B1	RESISTOR		R1136	1-218-990-11	SHORT CHIP 0		
1194		B1	RESISTOR		R1137	1-218-990-11	SHORT CHIP 0		
1195		B1	RESISTOR		R1138	1-218-990-11	SHORT CHIP 0		
1196		B1	RESISTOR		R1139	1-218-990-11	SHORT CHIP 0		
1197		B1	RESISTOR		R1140	1-218-990-11	SHORT CHIP 0		
1198		B1	RESISTOR		R1141	1-218-990-11	SHORT CHIP 0		
1199		B1	RESISTOR		R1142	1-218-990-11	SHORT CHIP 0		
1200		B1	RESISTOR		R1143	1-218-990-11	SHORT CHIP 0		
1201		B1	RESISTOR		R1144	1-218-973-11	RES-CHIP 47K 5% 1/16W		
1202		B1	RESISTOR		R1145	1-218-973-11	RES-CHIP 47K 5% 1/16W		
1203		B1	RESISTOR		R1146	1-218-973-11	RES-CHIP 47K 5% 1/16W		
1204		B1	RESISTOR		R1147	1-218-961-11	RES-CHIP 4.7K 5% 1/16W		
1205		B1	RESISTOR		R1148	1-218-961-11	RES-CHIP 4.7K 5% 1/16W		
1206		B1	RESISTOR		R1151	1-218-965-11	RES-CHIP 10K 5% 1/16W		
1207		B1	RESISTOR		R1152	1-218-965-11	RES-CHIP 10K 5% 1/16W		
1208		B1	RESISTOR		R1156	1-218-941-81	RES-CHIP 100 5% 1/16W		
1209		B1	RESISTOR		R1157	1-218-959-11	RES-CHIP 3.3K 5% 1/16W		
1210		B1	RESISTOR		R1158	1-218-945-11	RES-CHIP 220 5% 1/16W		
1211		B1	RESISTOR		R1159	1-218-941-81	RES-CHIP 100 5% 1/16W		
1212		B1	RESISTOR		R1161	1-216-864-11	SHORT CHIP 0		
1213		B1	RESISTOR		R1162	1-216-864-11	SHORT CHIP 0		
1214		B1	RESISTOR		R1163	1-216-864-11	SHORT CHIP 0		
1215		B1	RESISTOR		R1164	1-216-864-11	SHORT CHIP 0		
1216		B1	RESISTOR		R1165	1-216-864-11	SHORT CHIP 0		
1217		B1	RESISTOR		R1168	1-216-864-11	SHORT CHIP 0		
1218		B1	RESISTOR		R1170	1-216-864-11	SHORT CHIP 0		
1219		B1	RESISTOR		R1171	1-218-965-11	RES-CHIP 10K 5% 1/16W		
1220		B1	RESISTOR		R1172	1-218-965-11	RES-CHIP 10K 5% 1/16W		
1221		B1	RESISTOR		R1173	1-218-941-81	RES-CHIP 100 5% 1/16W		
1222		B1	RESISTOR		R1174	1-218-990-11	SHORT CHIP 0		
1223		B1	RESISTOR		R3001	1-216-809-11	METAL CHIP 100 5% 1/10W		
1224		B1	RESISTOR		R3002	1-216-809-11	METAL CHIP 100 5% 1/10W		
1225		B1	RESISTOR		R3003	1-216-809-11	METAL CHIP 100 5% 1/10W		
1226		B1	RESISTOR		R3004	1-218-941-81	RES-CHIP 100 5% 1/16W		
1227		B1	RESISTOR		R3005	1-218-941-81	RES-CHIP 100 5% 1/16W		
1228		B1	RESISTOR		R3006	1-211-992-11	METAL CHIP 91 0.5% 1/10W		
1229		B1	RESISTOR		R3007	1-211-992-11	METAL CHIP 91 0.5% 1/10W		
1230		B1	RESISTOR		R3008	1-211-992-11	METAL CHIP 91 0.5% 1/10W		
1231		B1	RESISTOR		R3009	1-218-941-81	RES-CHIP 100 5% 1/16W		
1232		B1	RESISTOR		R3010	1-218-941-81	RES-CHIP 100 5% 1/16W		
1233		B1	RESISTOR		R3011	1-216-295-91	SHORT CHIP 0		
1234		B1	RESISTOR		R3012	1-216-295-91	SHORT CHIP 0		
1235		B1	RESISTOR		R3015	1-218-933-11	RES-CHIP 22 5% 1/16W		
1236		B1	RESISTOR		R3016	1-218-953-11	RES-CHIP 1K 5% 1/16W		
1237		B1	RESISTOR		R3017	1-216-295-91	SHORT CHIP 0		
1238		B1	RESISTOR		R3024	1-218-933-11	RES-CHIP 22 5% 1/16W		
1239		B1	RESISTOR		R3025	1-218-933-11	RES-CHIP 22 5% 1/16W		
1240		B1	RESISTOR		R3026	1-218-965-11	RES-CHIP 10K 5% 1/16W		
1241		B1	RESISTOR		R3033	1-218-990-11	SHORT CHIP 0		

No.	#	Board	Type	Δ/V^*	Ref. No.	Part No.	Description	Remarks-1	Remarks-2
1242		B1	RESISTOR		R3035	1-218-990-11	SHORT CHIP 0		
1243		B1	RESISTOR		R3036	1-218-990-11	SHORT CHIP 0		
1244		B1	RESISTOR		R3037	1-218-990-11	SHORT CHIP 0		
1245		B1	RESISTOR		R3038	1-218-990-11	SHORT CHIP 0		
1246		B1	RESISTOR		R3040	1-218-990-11	SHORT CHIP 0		
1247		B1	RESISTOR		R3041	1-218-990-11	SHORT CHIP 0		
1248		B1	RESISTOR		R3042	1-218-990-11	SHORT CHIP 0		
1249		B1	RESISTOR		R3043	1-218-990-11	SHORT CHIP 0		
1250		B1	RESISTOR		R3045	1-218-990-11	SHORT CHIP 0		
1251		B1	RESISTOR		R3046	1-218-990-11	SHORT CHIP 0		
1252		B1	RESISTOR		R3049	1-218-990-11	SHORT CHIP 0		
1253		B1	RESISTOR		R3054	1-218-990-11	SHORT CHIP 0		
1254		B1	RESISTOR		R3058	1-218-990-11	SHORT CHIP 0		
1255		B1	RESISTOR		R3059	1-218-990-11	SHORT CHIP 0		
1256		B1	RESISTOR		R3060	1-218-990-11	SHORT CHIP 0		
1257		B1	RESISTOR		R3061	1-218-990-11	SHORT CHIP 0		
1258		B1	RESISTOR		R3062	1-218-990-11	SHORT CHIP 0		
1259		B1	RESISTOR		R3063	1-218-990-11	SHORT CHIP 0		
1260		B1	RESISTOR		R3064	1-218-990-11	SHORT CHIP 0		
1261		B1	RESISTOR		R3065	1-218-990-11	SHORT CHIP 0		
1262		B1	RESISTOR		R3067	1-218-990-11	SHORT CHIP 0		
1263		B1	RESISTOR		R3068	1-218-990-11	SHORT CHIP 0		
1264		B1	RESISTOR		R3071	1-218-990-11	SHORT CHIP 0		
1265		B1	RESISTOR		R3072	1-218-933-11	RES-CHIP 22 5% 1/16W		
1266		B1	RESISTOR		R3083	1-218-937-11	RES-CHIP 47 5% 1/16W		
1267		B1	RESISTOR		R3085	1-218-937-11	RES-CHIP 47 5% 1/16W		
1268		B1	RESISTOR		R3086	1-218-949-11	RES-CHIP 470 5% 1/16W		
1269		B1	RESISTOR		R3087	1-218-990-11	SHORT CHIP 0		
1270		B1	RESISTOR		R3088	1-218-990-11	SHORT CHIP 0		
1271		B1	RESISTOR		R3089	1-218-990-11	SHORT CHIP 0		
1272		B1	RESISTOR		R3090	1-218-990-11	SHORT CHIP 0		
1273		B1	RESISTOR		R3091	1-218-990-11	SHORT CHIP 0		
1274		B1	RESISTOR		R3308	1-218-937-11	RES-CHIP 47 5% 1/16W		
1275		B1	RESISTOR		R3309	1-218-945-11	METAL CHIP 220 5% 1/16W		
1276		B1	RESISTOR		R3310	1-218-945-11	METAL CHIP 220 5% 1/16W		
1277		B1	RESISTOR		R3311	1-208-695-11	METAL CHIP 3.3K 0.5% 1/16W		
1278		B1	RESISTOR		R3312	1-218-945-11	METAL CHIP 220 5% 1/16W		
1279		B1	RESISTOR		R3313	1-218-990-11	SHORT CHIP 0		
1280		B1	RESISTOR		R3314	1-218-990-11	SHORT CHIP 0		
1281		B1	RESISTOR		R3315	1-218-990-11	SHORT CHIP 0		
1282		B1	RESISTOR		R3318	1-220-180-11	METAL CHIP 620 5% 1/16W		
1283		B1	RESISTOR		R3319	1-208-873-81	METAL CHIP 270 0.5% 1/16W		
1284		B1	RESISTOR		R3320	1-218-990-11	SHORT CHIP 0		
1285		B1	RESISTOR		R3321	1-218-990-11	SHORT CHIP 0		
1286		B1	RESISTOR		R3322	1-218-990-11	SHORT CHIP 0		
1287		B1	RESISTOR		R3323	1-218-990-11	SHORT CHIP 0		
1288		B1	RESISTOR		R3325	1-218-941-81	RES-CHIP 100 5% 1/16W		
1289		B1	RESISTOR		R3326	1-218-941-81	RES-CHIP 100 5% 1/16W		
1290		B1	RESISTOR		R3327	1-218-990-11	SHORT CHIP 0		
1291		B1	RESISTOR		R3328	1-218-990-11	SHORT CHIP 0		
1292		B1	RESISTOR		R3329	1-218-990-11	SHORT CHIP 0		
1293		B1	RESISTOR		R3330	1-218-990-11	SHORT CHIP 0		
1294		B1	RESISTOR		R3331	1-218-990-11	SHORT CHIP 0		
1295		B1	RESISTOR		R3332	1-218-990-11	SHORT CHIP 0		
1296		B1	RESISTOR		R3333	1-218-990-11	SHORT CHIP 0		
1297		B1	RESISTOR		R3334	1-218-990-11	SHORT CHIP 0		
1298		B1	RESISTOR		R3337	1-218-990-11	SHORT CHIP 0		
1299		B1	RESISTOR		R3338	1-218-990-11	SHORT CHIP 0		
1300		B1	RESISTOR		R3341	1-218-990-11	SHORT CHIP 0		
1301		B1	RESISTOR		R3344	1-218-933-11	RES-CHIP 22 5% 1/16W		
1302		B1	RESISTOR		R3345	1-218-933-11	RES-CHIP 22 5% 1/16W		
1303		B1	RESISTOR		R3346	1-218-990-11	SHORT CHIP 0		
1304		B1	RESISTOR		R3347	1-218-990-11	SHORT CHIP 0		
1305		B1	RESISTOR		R3348	1-218-990-11	SHORT CHIP 0		
1306		B1	RESISTOR		R3349	1-218-990-11	SHORT CHIP 0		
1307		B1	RESISTOR		R3351	1-208-695-11	METAL CHIP 3.3K 0.5% 1/16W		
1308		B1	RESISTOR		R3352	1-218-990-11	SHORT CHIP 0		
1309		B1	RESISTOR		R3353	1-208-695-11	METAL CHIP 3.3K 0.5% 1/16W		
1310		B1	RESISTOR		R3356	1-218-990-11	SHORT CHIP 0		
1311		B1	RESISTOR		R3357	1-218-990-11	SHORT CHIP 0		
1312		B1	RESISTOR		R3359	1-218-990-11	SHORT CHIP 0		
1313		B1	RESISTOR		R3361	1-218-941-81	RES-CHIP 100 5% 1/16W		
1314		B1	RESISTOR		R3362	1-218-941-81	RES-CHIP 100 5% 1/16W		

No.	#	Board	Type	Δ/V^*	Ref. No.	Part No.	Description	Remarks-1	Remarks-2
1315		B1	RESISTOR		R3364	1-218-965-11	RES-CHIP 10K 5% 1/16W		
1316		B1	RESISTOR		R3370	1-218-933-11	RES-CHIP 22 5% 1/16W		
1317		B1	RESISTOR		R3371	1-218-985-11	RES-CHIP 470K 5% 1/16W		
1318		B1	RESISTOR		R3372	1-218-969-11	RES-CHIP 22K 5% 1/16W		
1319		B1	RESISTOR		R3373	1-218-933-11	RES-CHIP 22 5% 1/16W		
1320		B1	RESISTOR		R3374	1-218-945-11	RES-CHIP 220 5% 1/16W		
1321		B1	RESISTOR		R3375	1-218-953-11	RES-CHIP 1K 5% 1/16W		
1322		B1	RESISTOR		R3376	1-218-947-11	RES-CHIP 330 5% 1/16W		
1323		B1	RESISTOR		R3377	1-218-945-11	RES-CHIP 220 5% 1/16W		
1324		B1	RESISTOR		R3378	1-218-959-11	RES-CHIP 3.3K 5% 1/16W		
1325		B1	RESISTOR		R3379	1-208-696-11	RES-CHIP 3.6K 0.5% 1/16W		
1326		B1	RESISTOR		R3380	1-218-990-11	SHORT CHIP 0		
1327		B1	RESISTOR		R3381	1-218-985-11	RES-CHIP 470K 5% 1/16W		
1328		B1	RESISTOR		R3382	1-218-965-11	RES-CHIP 10K 5% 1/16W		
1329		B1	RESISTOR		R3383	1-218-990-11	SHORT CHIP 0		
1330		B1	RESISTOR		R3387	1-218-935-11	RES-CHIP 33 5% 1/16W		
1331		B1	RESISTOR		R3388	1-218-935-11	RES-CHIP 33 5% 1/16W		
1332		B1	RESISTOR		R3389	1-218-935-11	RES-CHIP 33 5% 1/16W		
1333		B1	RESISTOR		R3390	1-218-953-11	RES-CHIP 1K 5% 1/16W		
1334		B1	RESISTOR		R3391	1-218-953-11	RES-CHIP 1K 5% 1/16W		
1335		B1	RESISTOR		R3392	1-218-953-11	RES-CHIP 1K 5% 1/16W		
1336		B1	RESISTOR		R3393	1-218-950-11	RES-CHIP 560 5% 1/16W		
1337		B1	RESISTOR		R3394	1-218-950-11	RES-CHIP 560 5% 1/16W		
1338		B1	RESISTOR		R3395	1-218-950-11	RES-CHIP 560 5% 1/16W		
1339		B1	RESISTOR		R3396	1-218-935-11	RES-CHIP 33 5% 1/16W		
1340		B1	RESISTOR		R3397	1-218-971-11	RES-CHIP 33K 5% 1/16W		
1341		B1	RESISTOR		R3398	1-218-973-11	RES-CHIP 47K 5% 1/16W		
1342		B1	RESISTOR		R3399	1-218-949-11	RES-CHIP 470 5% 1/16W		
1343		B1	RESISTOR		R3401	1-218-975-11	RES-CHIP 68K 5% 1/16W		
1344		B1	RESISTOR		R3402	1-218-975-11	RES-CHIP 68K 5% 1/16W		
1345		B1	RESISTOR		R3403	1-218-971-11	RES-CHIP 33K 5% 1/16W		
1346		B1	RESISTOR		R3404	1-218-971-11	RES-CHIP 33K 5% 1/16W		
1347		B1	RESISTOR		R3405	1-208-679-11	METAL CHIP 680 0.5% 1/16W		
1348		B1	RESISTOR		R3406	1-208-679-11	METAL CHIP 680 0.5% 1/16W		
1349		B1	RESISTOR		R3407	1-208-683-11	METAL CHIP 1K 0.5% 1/16W		
1350		B1	RESISTOR		R3408	1-208-683-11	METAL CHIP 1K 0.5% 1/16W		
1351		B1	RESISTOR		R3409	1-208-677-11	METAL CHIP 560 0.5% 1/16W		
1352		B1	RESISTOR		R3410	1-208-677-11	METAL CHIP 560 0.5% 1/16W		
1353		B1	RESISTOR		R3411	1-208-677-11	METAL CHIP 560 0.5% 1/16W		
1354		B1	RESISTOR		R3412	1-208-677-11	METAL CHIP 560 0.5% 1/16W		
1355		B1	RESISTOR		R3413	1-218-950-11	RES-CHIP 560 5% 1/16W		
1356		B1	RESISTOR		R3414	1-218-950-11	RES-CHIP 560 5% 1/16W		
1357		B1	RESISTOR		R3415	1-218-950-11	RES-CHIP 560 5% 1/16W		
1358		B1	RESISTOR		R3416	1-218-950-11	RES-CHIP 560 5% 1/16W		
1359		B1	RESISTOR		R3417	1-218-951-11	RES-CHIP 680 5% 1/16W		
1360		B1	RESISTOR		R3418	1-218-951-11	RES-CHIP 680 5% 1/16W		
1361		B1	RESISTOR		R3419	1-218-951-11	RES-CHIP 680 5% 1/16W		
1362		B1	RESISTOR		R3420	1-218-951-11	RES-CHIP 680 5% 1/16W		
1363		B1	RESISTOR		R3421	1-208-701-11	METAL CHIP 5.6K 0.5% 1/16W		
1364		B1	RESISTOR		R3422	1-208-701-11	METAL CHIP 5.6K 0.5% 1/16W		
1365		B1	RESISTOR		R3423	1-218-937-11	RES-CHIP 47 5% 1/16W		
1366		B1	RESISTOR		R3424	1-218-937-11	RES-CHIP 47 5% 1/16W		
1367		B1	RESISTOR		R3501	1-218-990-11	SHORT CHIP 0		
1368		B1	RESISTOR		R3502	1-218-941-81	RES-CHIP 100 5% 1/16W		
1369		B1	RESISTOR		R3503	1-218-957-11	RES-CHIP 2.2K 5% 1/16W		
1370		B1	RESISTOR		R3504	1-218-957-11	RES-CHIP 2.2K 5% 1/16W		
1371		B1	RESISTOR		R3505	1-218-961-11	RES-CHIP 4.7K 5% 1/16W		
1372		B1	RESISTOR		R3506	1-218-949-11	RES-CHIP 470 5% 1/16W		
1373		B1	RESISTOR		R3507	1-218-941-81	RES-CHIP 100 5% 1/16W		
1374		B1	RESISTOR		R3508	1-218-971-11	RES-CHIP 33K 5% 1/16W		
1375		B1	RESISTOR		R3509	1-208-635-11	RES-CHIP 10 0.5% 1/16W		
1376		B1	RESISTOR		R3510	1-218-941-81	RES-CHIP 100 5% 1/16W		
1377		B1	RESISTOR		R3511	1-218-941-81	RES-CHIP 100 5% 1/16W		
1378		B1	RESISTOR		R3512	1-218-941-81	RES-CHIP 100 5% 1/16W		
1379		B1	RESISTOR		R3513	1-218-943-11	RES-CHIP 150 5% 1/16W		
1380		B1	RESISTOR		R3514	1-218-937-11	RES-CHIP 47 5% 1/16W		
1381		B1	RESISTOR		R3515	1-218-937-11	RES-CHIP 47 5% 1/16W		
1382		B1	RESISTOR		R3601	1-218-941-81	RES-CHIP 100 5% 1/16W		
1383		B1	RESISTOR		R3602	1-218-965-11	RES-CHIP 10K 5% 1/16W		
1384		B1	RESISTOR		R3603	1-218-941-81	RES-CHIP 100 5% 1/16W		
1385		B1	RESISTOR		R3604	1-218-941-81	RES-CHIP 100 5% 1/16W		
1386		B1	RESISTOR		R3605	1-218-945-11	RES-CHIP 220 5% 1/16W		
1387		B1	RESISTOR		R3606	1-208-697-11	METAL CHIP 3.9K 0.5% 1/16W		

No.	#	Board	Type	Δ / ∇ *	Ref. No.	Part No.	Description	Remarks-1	Remarks-2
1388		B1	RESISTOR		R3607	1-218-965-11	RES-CHIP 10K 5% 1/16W		
1389		B1	RESISTOR		R3608	1-218-989-11	RES-CHIP 1M 5% 1/16W		
1390		B1	RESISTOR		R3609	1-218-959-11	RES-CHIP 3.3K 5% 1/16W		
1391		B1	RESISTOR		R3610	1-208-683-11	METAL CHIP 1K 0.5% 1/16W		
1392		B1	RESISTOR		R3612	1-208-862-81	METAL CHIP 91 0.5% 1/16W		
1393		B1	RESISTOR		R3613	1-208-862-81	METAL CHIP 91 0.5% 1/16W		
1394		B1	RESISTOR		R3614	1-208-862-81	METAL CHIP 91 0.5% 1/16W		
1395		B1	RESISTOR		R3618	1-218-957-11	RES-CHIP 2.2K 5% 1/16W		
1396		B1	RESISTOR		R3621	1-218-965-11	RES-CHIP 10K 5% 1/16W		
1397		B1	RESISTOR		R3622	1-218-956-11	RES-CHIP 1.8K 5% 1/16W		
1398		B1	RESISTOR		R3627	1-218-990-11	SHORT CHIP 0		
1399		B1	RESISTOR		R3628	1-218-990-11	SHORT CHIP 0		
1400		B1	RESISTOR		R3629	1-218-965-11	RES-CHIP 10K 5% 1/16W		
1401		B1	RESISTOR		R3630	1-218-941-81	RES-CHIP 100 5% 1/16W		
1402		B1	RESISTOR		R3662	1-208-675-11	METAL CHIP 470 0.5% 1/16W		
1403		B1	RESISTOR		R3663	1-208-675-11	METAL CHIP 470 0.5% 1/16W		
1404		B1	RESISTOR		R3665	1-218-941-81	RES-CHIP 100 5% 1/16W		
1405		B1	RESISTOR		R3669	1-218-953-11	RES-CHIP 1K 5% 1/16W		
1406		B1	RESISTOR		R3670	1-218-935-11	RES-CHIP 33 5% 1/16W		
1407		B1	RESISTOR		R3671	1-218-935-11	RES-CHIP 33 5% 1/16W		
1408		B1	RESISTOR		R3672	1-218-935-11	RES-CHIP 33 5% 1/16W		
1409		B1	RESISTOR		R3674	1-218-990-11	SHORT CHIP 0		
1410		B1	RESISTOR		R3675	1-218-933-11	RES-CHIP 22 5% 1/16W		
1411		B1	RESISTOR		R3676	1-218-941-81	RES-CHIP 100 5% 1/16W		
1412		B1	RESISTOR		R3677	1-218-941-81	RES-CHIP 100 5% 1/16W		
1413		B1	RESISTOR		R3678	1-208-862-81	METAL CHIP 91 0.5% 1/16W		
1414		B1	RESISTOR		R3679	1-208-862-81	METAL CHIP 91 0.5% 1/16W		
1415		B1	RESISTOR		R3680	1-208-862-81	METAL CHIP 91 0.5% 1/16W		
1416		B1	RESISTOR		R3688	1-218-990-11	SHORT CHIP 0		
1417		B1	RESISTOR		R3690	1-218-933-11	RES-CHIP 22 5% 1/16W		
1418		B1	RESISTOR		R3691	1-218-990-11	SHORT CHIP 0		
1419		B1	RESISTOR		R5003	1-218-959-11	RES-CHIP 3.3K 5% 1/16W		
1420		B1	RESISTOR		R5007	1-218-990-11	SHORT CHIP 0		
1421		B1	RESISTOR		R5008	1-218-959-11	RES-CHIP 3.3K 5% 1/16W		
1422		B1	RESISTOR		R5011	1-218-990-11	SHORT CHIP 0		
1423		B1	RESISTOR		R5012	1-218-990-11	SHORT CHIP 0		
1424		B1	RESISTOR		R5013	1-218-959-11	RES-CHIP 3.3K 5% 1/16W		
1425		B1	RESISTOR		R5017	1-218-990-11	SHORT CHIP 0		
1426		B1	RESISTOR		R5018	1-218-990-11	SHORT CHIP 0		
1427		B1	RESISTOR		R5019	1-218-990-11	SHORT CHIP 0		
1428		B1	RESISTOR		R5020	1-218-990-11	SHORT CHIP 0		
1429		B1	RESISTOR		R5021	1-218-990-11	SHORT CHIP 0		
1430		B1	RESISTOR		R5028	1-218-990-11	SHORT CHIP 0		
1431		B1	RESISTOR		R5031	1-218-959-11	RES-CHIP 3.3K 5% 1/16W		
1432		B1	RESISTOR		R5032	1-218-990-11	SHORT CHIP 0		
1433		B1	RESISTOR		R5033	1-218-959-11	RES-CHIP 3.3K 5% 1/16W		
1434		B1	RESISTOR		R5034	1-218-990-11	SHORT CHIP 0		
1435		B1	RESISTOR		R5035	1-218-990-11	SHORT CHIP 0		
1436		B1	RESISTOR		R5041	1-218-990-11	SHORT CHIP 0		
1437		B1	RESISTOR		R5042	1-220-398-11	RES-CHIP 1.5M 5% 1/16W		
1438		B1	RESISTOR		R5044	1-218-990-11	SHORT CHIP 0		
1439		B1	RESISTOR		R5046	1-218-959-11	RES-CHIP 3.3K 5% 1/16W		
1440		B1	RESISTOR		R5052	1-218-990-11	SHORT CHIP 0		
1441		B1	RESISTOR		R5055	1-218-990-11	SHORT CHIP 0		
1442		B1	RESISTOR		R5056	1-218-990-11	SHORT CHIP 0		
1443		B1	RESISTOR		R5058	1-218-990-11	SHORT CHIP 0		
1444		B1	RESISTOR		R5059	1-218-990-11	SHORT CHIP 0		
1445		B1	RESISTOR		R5060	1-218-990-11	SHORT CHIP 0		
1446		B1	RESISTOR		R5062	1-218-990-11	SHORT CHIP 0		
1447		B1	RESISTOR		R5063	1-218-990-11	SHORT CHIP 0		
1448		B1	RESISTOR		R5064	1-218-990-11	SHORT CHIP 0		
1449		B1	RESISTOR		R5073	1-218-941-81	RES-CHIP 100 5% 1/16W		
1450		B1	RESISTOR		R5074	1-218-990-11	SHORT CHIP 0		
1451		B1	RESISTOR		R5075	1-218-990-11	SHORT CHIP 0		
1452		B1	RESISTOR		R5076	1-218-941-81	RES-CHIP 100 5% 1/16W		
1453		B1	RESISTOR		R5077	1-218-965-11	RES-CHIP 10K 5% 1/16W		
1454		B1	RESISTOR		R5078	1-218-965-11	RES-CHIP 10K 5% 1/16W		
1455		B1	RESISTOR		R5104	1-216-805-11	METAL CHIP 47 5% 1/10W		
1456		B1	RESISTOR		R5105	1-216-805-11	METAL CHIP 47 5% 1/10W		
1457		B1	RESISTOR		R5106	1-216-805-11	METAL CHIP 47 5% 1/10W		
1458		B1	RESISTOR		R5108	1-216-805-11	METAL CHIP 47 5% 1/10W		
1459		B1	RESISTOR		R5109	1-218-864-11	METAL CHIP 5.1K 0.5% 1/10W		
1460		B1	RESISTOR		R5112	1-218-971-11	RES-CHIP 33K 5% 1/16W		

No.	#	Board	Type	Δ/V^*	Ref. No.	Part No.	Description	Remarks-1	Remarks-2
1461		B1	RESISTOR		R5113	1-208-675-11	METAL CHIP 470 0.5% 1/16W		
1462		B1	RESISTOR		R5115	1-218-965-11	RES-CHIP 10K 5% 1/16W		
1463		B1	RESISTOR		R5116	1-208-683-11	METAL CHIP 1K 0.5% 1/16W		
1464		B1	RESISTOR		R5121	1-218-941-81	RES-CHIP 100 5% 1/16W		
1465		B1	RESISTOR		R5122	1-208-898-81	METAL CHIP 3K 0.5% 1/16W		
1466		B1	RESISTOR		R5123	1-218-990-11	SHORT CHIP 0		
1467		B1	RESISTOR		R5124	1-218-990-11	SHORT CHIP 0		
1468		B1	RESISTOR		R5125	1-218-990-11	SHORT CHIP 0		
1469		B1	RESISTOR		R5126	1-218-990-11	SHORT CHIP 0		
1470		B1	RESISTOR		R5128	1-218-971-11	RES-CHIP 33K 5% 1/16W		
1471		B1	RESISTOR		R5129	1-218-990-11	SHORT CHIP 0		
1472		B1	RESISTOR		R5131	1-218-990-11	SHORT CHIP 0		
1473		B1	RESISTOR		R5135	1-218-965-11	RES-CHIP 10K 5% 1/16W		
1474		B1	RESISTOR		R5137	1-218-965-11	RES-CHIP 10K 5% 1/16W		
1475		B1	RESISTOR		R5138	1-218-959-11	RES-CHIP 3.3K 5% 1/16W		
1476		B1	RESISTOR		R5139	1-218-961-11	RES-CHIP 4.7K 5% 1/16W		
1477		B1	RESISTOR		R5140	1-216-864-11	SHORT CHIP 0		
1478		B1	RESISTOR		R5204	1-218-937-11	RES-CHIP 47 5% 1/16W		
1479		B1	RESISTOR		R5458	1-218-941-81	RES-CHIP 100 5% 1/16W		
1480		B1	RESISTOR		R5470	1-218-990-11	SHORT CHIP 0		
1481		B1	RESISTOR		R5472	1-218-990-11	SHORT CHIP 0		
1482		B1	RESISTOR		R5473	1-218-990-11	SHORT CHIP 0		
1483		B1	RESISTOR		R5474	1-218-957-11	RES-CHIP 2.2K 5% 1/16W		
1484		B1	RESISTOR		R5552	1-218-989-11	RES-CHIP 1M 5% 1/16W		
1485		B1	RESISTOR		R5553	1-218-990-11	SHORT CHIP 0		
1486		B1	RESISTOR		R5554	1-218-965-11	RES-CHIP 10K 5% 1/16W		
1487		B1	RESISTOR		R5556	1-218-941-81	RES-CHIP 100 5% 1/16W		
1488		B1	RESISTOR		R5557	1-218-941-81	RES-CHIP 100 5% 1/16W		
1489		B1	RESISTOR		R5558	1-218-941-81	RES-CHIP 100 5% 1/16W		
1490		B1	RESISTOR		R5559	1-218-941-81	RES-CHIP 100 5% 1/16W		
1491		B1	RESISTOR		R5560	1-218-941-81	RES-CHIP 100 5% 1/16W		
1492		B1	RESISTOR		R5561	1-208-711-11	METAL CHIP 15K 0.5% 1/16W		
1493		B1	RESISTOR		R5562	1-218-941-81	RES-CHIP 100 5% 1/16W		
1494		B1	RESISTOR		R5566	1-218-961-11	RES-CHIP 4.7K 5% 1/16W		
1495		B1	RESISTOR		R5567	1-218-961-11	RES-CHIP 4.7K 5% 1/16W		
1496		B1	RESISTOR		R5611	1-218-941-81	RES-CHIP 100 5% 1/16W		
1497		B1	RESISTOR		R5612	1-218-941-81	RES-CHIP 100 5% 1/16W		
1498		B1	RESISTOR		R5613	1-218-990-11	SHORT CHIP 0		
1499		B1	RESISTOR		R5616	1-218-990-11	SHORT CHIP 0		
1500		B1	RESISTOR		R5617	1-218-990-11	SHORT CHIP 0		
1501		B1	RESISTOR		R5618	1-218-990-11	SHORT CHIP 0		
1502		B1	RESISTOR		R5619	1-218-990-11	SHORT CHIP 0		
1503		B1	RESISTOR		R5623	1-218-990-11	SHORT CHIP 0		
1504		B1	NETWORK		RB1001	1-234-372-21	"RES, NETWORK 100X4 (1005)"		
1505		B1	NETWORK		RB1002	1-234-378-21	"RES, NETWORK 10KX4 (1005)"		
1506		B1	NETWORK		RB1004	1-239-674-81	"RESISTOR, NETWORK 100"		
1507		B1	NETWORK		RB1005	1-234-372-21	"RES, NETWORK 100X4 (1005)"		
1508		B1	NETWORK		RB1006	1-234-372-21	"RES, NETWORK 100X4 (1005)"		
1509		B1	NETWORK		RB1007	1-234-372-21	"RES, NETWORK 100X4 (1005)"		
1510		B1	NETWORK		RB1009	1-234-380-21	"RES, NETWORK 47KX4 (1005)"		
1511		B1	NETWORK		RB1011	1-234-372-21	"RES, NETWORK 100X4 (1005)"		
1512		B1	NETWORK		RB1012	1-234-372-21	"RES, NETWORK 100X4 (1005)"		
1513		B1	NETWORK		RB1013	1-234-372-21	"RES, NETWORK 100X4 (1005)"		
1514		B1	NETWORK		RB1014	1-234-372-21	"RES, NETWORK 100X4 (1005)"		
1515		B1	NETWORK		RB1015	1-234-372-21	"RES, NETWORK 100X4 (1005)"		
1516		B1	NETWORK		RB1016	1-234-372-21	"RES, NETWORK 100X4 (1005)"		
1517		B1	NETWORK		RB1017	1-234-372-21	"RES, NETWORK 100X4 (1005)"		
1518		B1	NETWORK		RB1018	1-234-372-21	"RES, NETWORK 100X4 (1005)"		
1519		B1	NETWORK		RB1019	1-234-372-21	"RES, NETWORK 100X4 (1005)"		
1520		B1	NETWORK		RB1021	1-234-372-21	"RES, NETWORK 100X4 (1005)"		
1521		B1	NETWORK		RB1023	1-234-372-21	"RES, NETWORK 100X4 (1005)"		
1522		B1	NETWORK		RB1024	1-239-674-81	"RESISTOR, NETWORK 100"		
1523		B1	NETWORK		RB1025	1-234-372-21	"RES, NETWORK 100X4 (1005)"		
1524		B1	NETWORK		RB1026	1-234-372-21	"RES, NETWORK 100X4 (1005)"		
1525		B1	NETWORK		RB1027	1-234-372-21	"RES, NETWORK 100X4 (1005)"		
1526		B1	NETWORK		RB1028	1-239-674-81	"RESISTOR, NETWORK 100"		
1527		B1	NETWORK		RB1029	1-239-674-81	"RESISTOR, NETWORK 100"		
1528		B1	NETWORK		RB1030	1-234-372-21	"RES, NETWORK 100X4 (1005)"		
1529		B1	NETWORK		RB1031	1-234-372-21	"RES, NETWORK 100X4 (1005)"		
1530		B1	NETWORK		RB1032	1-234-372-21	"RES, NETWORK 100X4 (1005)"		
1531		B1	NETWORK		RB3001	1-234-370-21	"RES, NETWORK 22X4 (1005)"		
1532		B1	NETWORK		RB3002	1-234-370-21	"RES, NETWORK 22X4 (1005)"		
1533		B1	NETWORK		RB3003	1-234-370-21	"RES, NETWORK 22X4 (1005)"		

No.	#	Board	Type	△/*	Ref. No.	Part No.	Description	Remarks-1	Remarks-2
1534		B1	NETWORK		RB3004	1-234-370-21	"RES, NETWORK 22X4 (1005)"		
1535		B1	NETWORK		RB3301	1-234-371-21	"RES, NETWORK 47X4 (1005)"		
1536		B1	NETWORK		RB3302	1-234-372-21	"RES, NETWORK 100X4 (1005)"		
1537		B1	NETWORK		RB3303	1-234-372-21	"RES, NETWORK 100X4 (1005)"		
1538		B1	NETWORK		RB3304	1-234-372-21	"RES, NETWORK 100X4 (1005)"		
1539		B1	NETWORK		RB3305	1-234-372-21	"RES, NETWORK 100X4 (1005)"		
1540		B1	NETWORK		RB3306	1-234-371-21	"RES, NETWORK 47X4 (1005)"		
1541		B1	NETWORK		RB3307	1-234-371-21	"RES, NETWORK 47X4 (1005)"		
1542		B1	NETWORK		RB3308	1-234-371-21	"RES, NETWORK 47X4 (1005)"		
1543		B1	NETWORK		RB3309	1-234-372-21	"RES, NETWORK 100X4 (1005)"		
1544		B1	NETWORK		RB3310	1-234-372-21	"RES, NETWORK 100X4 (1005)"		
1545		B1	NETWORK		RB3311	1-234-372-21	"RES, NETWORK 100X4 (1005)"		
1546		B1	NETWORK		RB3312	1-234-372-21	"RES, NETWORK 100X4 (1005)"		
1547		B1	NETWORK		RB3313	1-234-372-21	"RES, NETWORK 100X4 (1005)"		
1548		B1	NETWORK		RB3314	1-234-372-21	"RES, NETWORK 100X4 (1005)"		
1549		B1	NETWORK		RB5005	1-234-371-21	"RES, NETWORK 47X4 (1005)"		
1550		B1	NETWORK		RB5006	1-234-371-21	"RES, NETWORK 47X4 (1005)"		
1551		B1	NETWORK		RB5007	1-234-371-21	"RES, NETWORK 47X4 (1005)"		
1552		B1	NETWORK		RB5008	1-234-371-21	"RES, NETWORK 47X4 (1005)"		
1553		B1	NETWORK		RB5009	1-234-371-21	"RES, NETWORK 47X4 (1005)"		
1554		B1	NETWORK		RB5010	1-234-371-21	"RES, NETWORK 47X4 (1005)"		
1555		B1	NETWORK		RB5503	1-234-372-21	"RES, NETWORK 100X4 (1005)"		
1556		B1	NETWORK		RB5504	1-234-372-21	"RES, NETWORK 100X4 (1005)"		
1557		B1	CRYSTAL		X1001	1-795-650-21	"VIBRATOR, CRYSTAL"		
1558		B1	CRYSTAL		X3001	1-795-643-21	"VIBRATOR, CRYSTAL"		
1559		B1	CRYSTAL		X3501	1-767-989-11	"VIBRATOR, CERAMIC"		
1560		B1	CRYSTAL		X3601	1-795-244-11	"VIBRATOR, CERAMIC"		
1561		B1	CRYSTAL		X5001	1-767-655-21	"VIBRATOR, CRYSTAL"		
1562		H4	CAPACITOR		C1501	1-107-826-11	CERAMIC CHIP 0.1UF 10.00% 16V		
1563		H4	CAPACITOR		C1504	1-107-826-11	CERAMIC CHIP 0.1UF 10.00% 16V		
1564		H4	CONNECTOR	*	CN1501	1-580-057-11	"PIN, CONNECTOR (SMD) 4P"		
1565		H4	DIODE		D1501	8-719-069-55	DIODE UDZSTE-175.6B		
1566		H4	DIODE		D1503	8-719-069-55	DIODE UDZSTE-175.6B		
1567		H4	RESISTOR		R1501	1-216-813-11	METAL CHIP 220 5% 1/10W		
1568		H4	RESISTOR		R1502	1-216-817-11	METAL CHIP 470 5% 1/10W		
1569		H4	RESISTOR		R1503	1-218-457-11	METAL CHIP 910 5% 1/10W		
1570		H4	RESISTOR		R1504	1-216-826-11	METAL CHIP 2.7K 5% 1/10W		
1571		H4	SWITCH		S1501	1-572-595-11	"SWITCH, TACTIL (REFLOW TYPE)"		
1572		H4	SWITCH		S1502	1-572-595-11	"SWITCH, TACTIL (REFLOW TYPE)"		
1573		H4	SWITCH		S1503	1-572-595-11	"SWITCH, TACTIL (REFLOW TYPE)"		
1574		H4	SWITCH		S1504	1-572-595-11	"SWITCH, TACTIL (REFLOW TYPE)"		
1575		H4	SWITCH		S1505	1-572-595-11	"SWITCH, TACTIL (REFLOW TYPE)"		
1576		H4	SWITCH		S1508	1-572-595-11	"SWITCH, TACTIL (REFLOW TYPE)"		
1577		H5	CAPACITOR		C1506	1-162-966-11	CERAMIC CHIP 0.0022UF 10.00% 50V		
1578		H5	CAPACITOR		C1507	1-119-667-11	CERAMIC CHIP 22UF 10V		
1579		H5	CONNECTOR	*	CN1502	1-580-789-21	"PIN, CONNECTOR (SMD) 6P"		
1580		H5	DIODE		D1504	8-719-064-06	DIODE SML-020MVT-T87		
1581		H5	DIODE		D1505	8-719-064-07	DIODE SML-310LTT86		
1582		H5	DIODE		D1507	8-719-069-55	DIODE UDZSTE-175.6B		
1583		H5	IC		IC1501	8-759-515-60	IC RS-20		
1584		H5	TRANSISTOR		Q1501	8-729-043-27	TRANSISTOR PDTC114EK-115		
1585		H5	TRANSISTOR		Q1502	8-729-043-27	TRANSISTOR PDTC114EK-115		
1586		H5	TRANSISTOR		Q1503	8-729-043-27	TRANSISTOR PDTC114EK-115		
1587		H5	RESISTOR		R1508	1-216-815-11	METAL CHIP 330 5% 1/10W		
1588		H5	RESISTOR		R1509	1-218-457-11	METAL CHIP 910 5% 1/10W		
1589		H5	RESISTOR		R1510	1-216-805-11	METAL CHIP 47 5% 1/10W		
1590		H5	RESISTOR		R1511	1-216-824-11	METAL CHIP 1.8K 5% 1/10W		
1591		H5	RESISTOR		R1512	1-216-817-11	METAL CHIP 470 5% 1/10W		
1592		TU	CAPACITOR		C6400	1-162-970-11	CERAMIC CHIP 0.01UF 10.00% 25V		
1593		TU	CAPACITOR		C6402	1-162-927-11	CERAMIC CHIP 100PF 5.00% 50V		
1594		TU	CAPACITOR		C6403	1-162-927-11	CERAMIC CHIP 100PF 5.00% 50V		
1595		TU	CAPACITOR		C6404	1-162-927-11	CERAMIC CHIP 100PF 5.00% 50V		
1596		TU	CAPACITOR		C6405	1-127-692-11	CERAMIC CHIP 10UF 10% 16V		
1597		TU	CAPACITOR		C6406	1-127-692-11	CERAMIC CHIP 10UF 10% 16V		
1598		TU	CAPACITOR		C6407	1-162-970-11	CERAMIC CHIP 0.01UF 10.00% 25V		
1599		TU	CAPACITOR		C6408	1-162-970-11	CERAMIC CHIP 0.01UF 10.00% 25V		
1600		TU	CAPACITOR		C6409	1-162-970-11	CERAMIC CHIP 0.01UF 10.00% 25V		
1601		TU	CAPACITOR		C6410	1-162-970-11	CERAMIC CHIP 0.01UF 10.00% 25V		
1602		TU	CAPACITOR		C6411	1-127-692-11	CERAMIC CHIP 10UF 10% 16V		
1603		TU	CAPACITOR		C6412	1-127-692-11	CERAMIC CHIP 10UF 10% 16V		
1604		TU	CAPACITOR		C6413	1-127-692-11	CERAMIC CHIP 10UF 10% 16V		
1605		TU	CAPACITOR		C6414	1-127-692-11	CERAMIC CHIP 10UF 10% 16V		
1606		TU	CAPACITOR		C6415	1-162-970-11	CERAMIC CHIP 0.01UF 10.00% 25V		

No.	#	Board	Type	Δ / [*]	Ref. No.	Part No.	Description	Remarks-1	Remarks-2
1607		TU	CAPACITOR		C6420	1-162-970-11	CERAMIC CHIP 0.01UF 10.00% 25V		
1608		TU	CONNECTOR		CN6400	1-573-824-11	"CONNECTOR, BOARD TO BOARD 10P"		
1609		TU	CONNECTOR		CN6401	1-573-824-11	"CONNECTOR, BOARD TO BOARD 10P"		
1610		TU	TRANSISTOR		Q6401	8-729-905-35	TRANSISTOR 2SC4081-R		
1611		TU	TRANSISTOR		Q6402	8-729-422-27	TRANSISTOR 2SD601A-Q		
1612		TU	TRANSISTOR		Q6403	8-729-422-27	TRANSISTOR 2SD601A-Q		
1613		TU	TRANSISTOR		Q6404	8-729-905-35	TRANSISTOR 2SC4081-R		
1614		TU	TRANSISTOR		Q6405	8-729-026-53	TRANSISTOR 2SA1576A-T106-QR		
1615		TU	RESISTOR		R6400	1-216-864-11	SHORT CHIP 0		
1616		TU	RESISTOR		R6401	1-216-809-11	METAL CHIP 100 5% 1/10W		
1617		TU	RESISTOR		R6402	1-216-809-11	METAL CHIP 100 5% 1/10W		
1618		TU	RESISTOR		R6404	1-216-864-11	SHORT CHIP 0		
1619		TU	RESISTOR		R6405	1-216-825-11	METAL CHIP 2.2K 5% 1/10W		
1620		TU	RESISTOR		R6409	1-216-819-11	METAL CHIP 680 5% 1/10W		
1621		TU	RESISTOR		R6410	1-216-839-11	METAL CHIP 33K 5% 1/10W		
1622		TU	RESISTOR		R6412	1-216-833-11	METAL CHIP 10K 5% 1/10W		
1623		TU	RESISTOR		R6413	1-216-837-11	METAL CHIP 22K 5% 1/10W		
1624		TU	RESISTOR		R6414	1-216-809-11	METAL CHIP 100 5% 1/10W		
1625		TU	RESISTOR		R6415	1-216-809-11	METAL CHIP 100 5% 1/10W		
1626		TU	RESISTOR		R6416	1-216-864-11	SHORT CHIP 0		
1627		TU	RESISTOR		R6417	1-216-821-11	METAL CHIP 1K 5% 1/10W		
1628		TU	RESISTOR		R6418	1-216-864-11	SHORT CHIP 0		
1629		TU	RESISTOR		R6419	1-216-864-11	SHORT CHIP 0		
1630		TU	RESISTOR		R6421	1-216-821-11	METAL CHIP 1K 5% 1/10W		
1631		TU	RESISTOR		R6422	1-216-864-11	SHORT CHIP 0		
1632		TU	RESISTOR		R6424	1-216-864-11	SHORT CHIP 0		
1633		TU	RESISTOR		R6425	1-216-817-11	METAL CHIP 470 5% 1/10W		
1634		TU	RESISTOR		R6426	1-216-817-11	METAL CHIP 470 5% 1/10W		
1635		TU	RESISTOR		R6427	1-216-836-11	METAL CHIP 18K 5% 1/10W		
1636		TU	RESISTOR		R6428	1-216-833-11	METAL CHIP 10K 5% 1/10W		
1637		TU	RESISTOR		R6430	1-216-826-11	METAL CHIP 2.7K 5% 1/10W		
1638		TU	RESISTOR		R6431	1-216-839-11	METAL CHIP 33K 5% 1/10W		
1639		TU	RESISTOR		R6432	1-216-821-11	METAL CHIP 1K 5% 1/10W		
1640		TU	TUNER		TU6400	8-598-593-20	"TUNER, FSS BTF-WA421"		
1641		H2	CONNECTOR	*	CN7601	1-580-057-11	"PIN, CONNECTOR (SMD) 4P"		
1642		H2	DIODE		D7601	8-719-062-19	DIODE MA3200WA-TX		
1643		H2	DIODE		D7602	8-719-062-19	DIODE MA3200WA-TX		
1644		H2	DIODE		D7603	8-719-062-19	DIODE MA3200WA-TX		
1645		H2	FERRITE BEAD		FB7601	1-414-226-21	FERRITE 0UH		
1646		H2	FERRITE BEAD		FB7602	1-414-226-21	FERRITE 0UH		
1647		H2	FERRITE BEAD		FB7603	1-414-226-21	FERRITE 0UH		
1648		H2	FERRITE BEAD		FB7604	1-414-226-21	FERRITE 0UH		
1649		H2	SOCKET		J7601	1-794-392-11	JACK		

